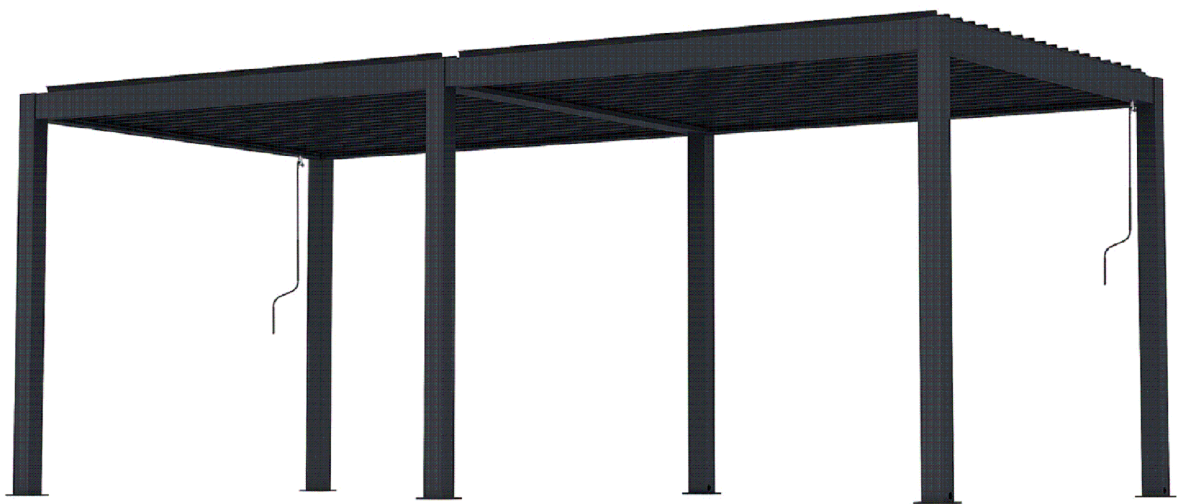
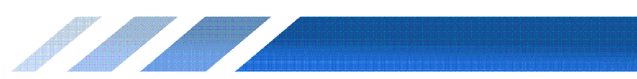
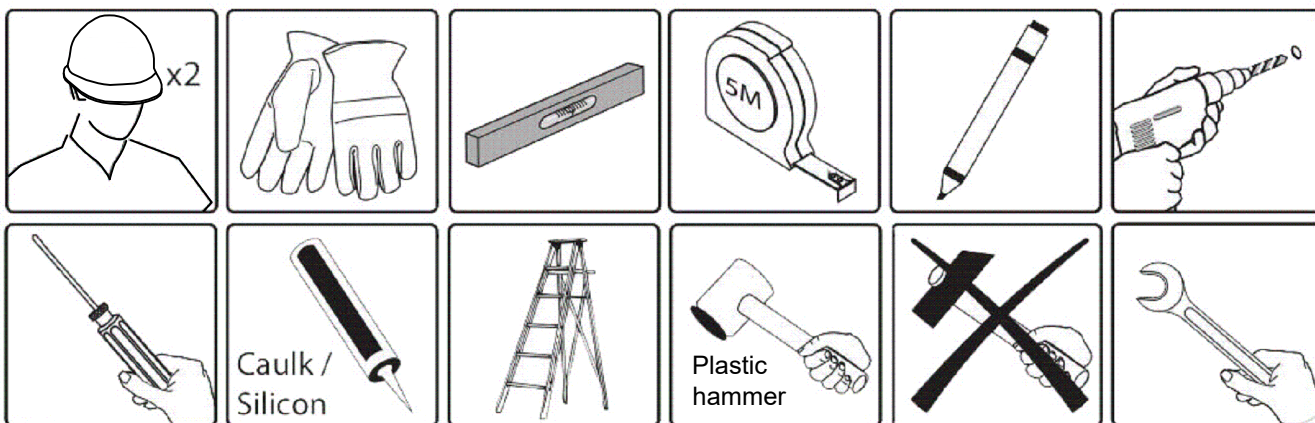
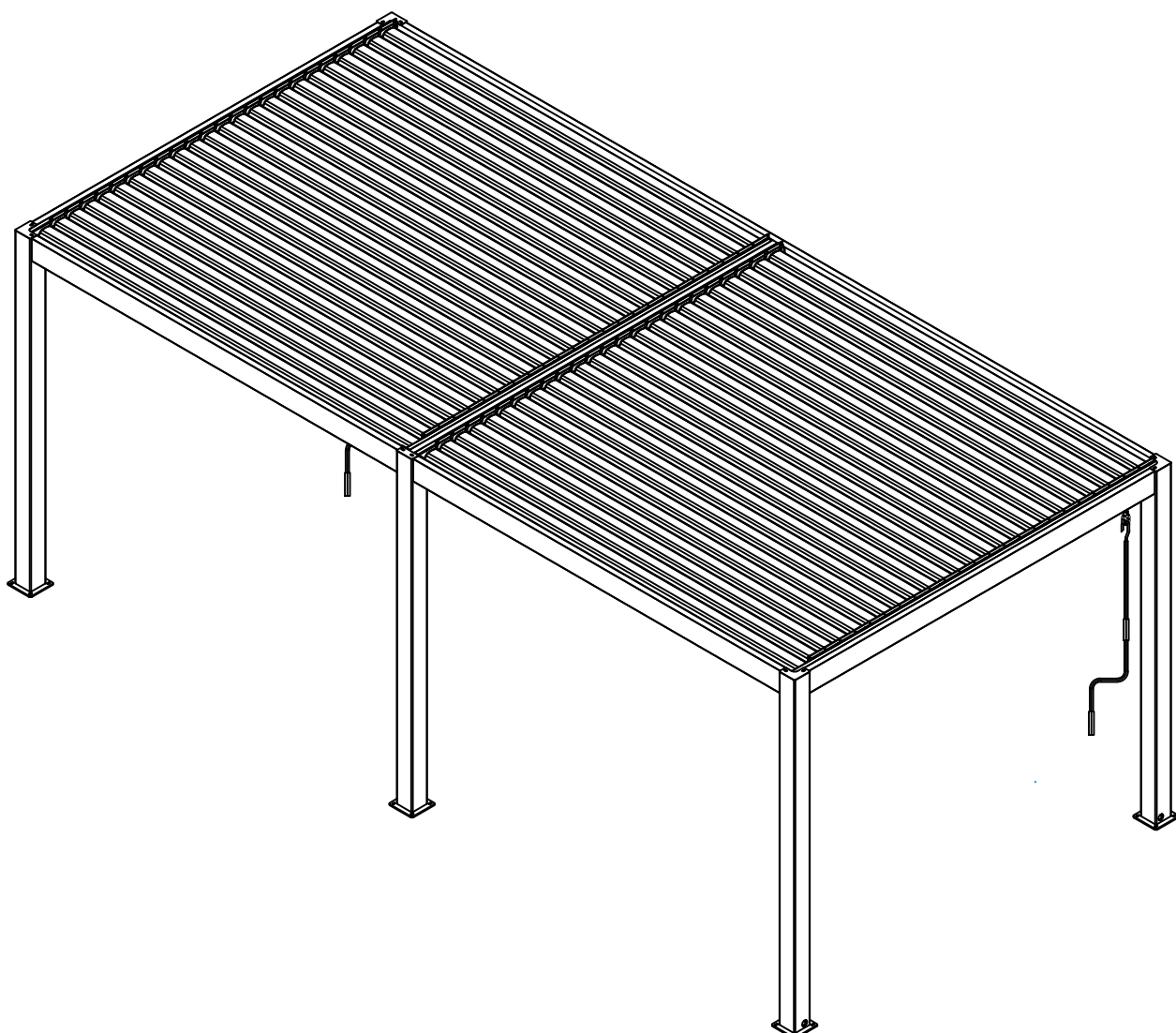


# BIOCLIMATIC PERGOLA FREE STANDING 6 POSTS

**4×6m**



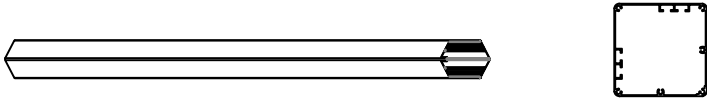
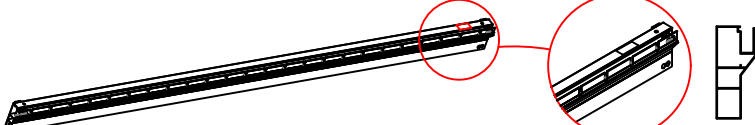

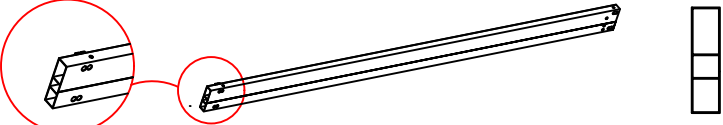

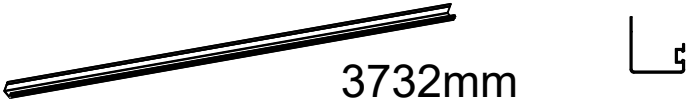

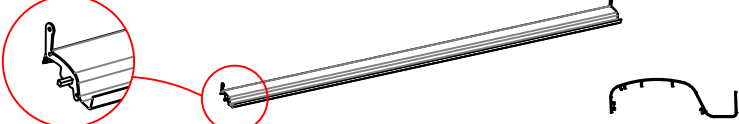

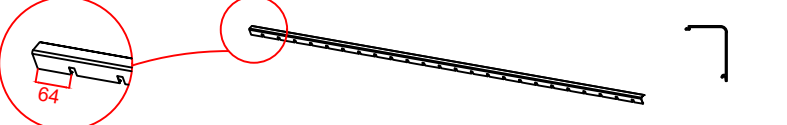
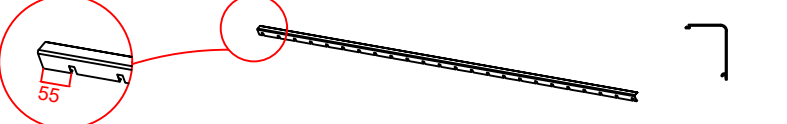

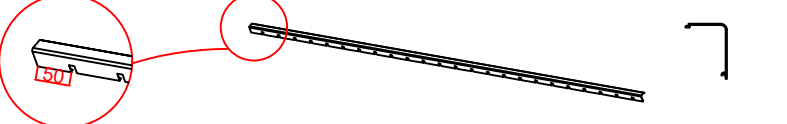


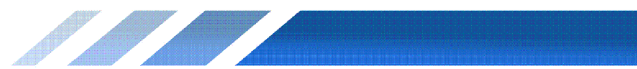


	Item	Qty	Item	Qty	Item	Qty
Carton 1/7	1B-01	4	1B-11	4	1B-12	4
	1B-13	6	1B-14	2	1B-15	2
	1B-18	1	1B-19	12	1B-20	132
	1B-21	24	1B-22	36	1B-23	46
	1B-24	1	1B-25	16	1B-26	2
	1B-29	16	1B-16	2	1B-17	2
Carton 2/7	1B-02	1	1B-03	1	1B-05A /B	6
	1B-08A /B/C/D	4	1B-29	2	1B-28	1
	1B-09	4				
Carton 3/7	1B-04A	2	1B-04B	2	1B-27	2
	1B-05B	4				
Carton 4/7	1B-06	2	1B-07	14		
Carton 5/7	1B-07	16				
Carton 6/7	1B-07	17				
Carton 7/7	1B-07	17				

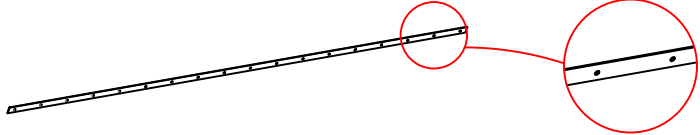
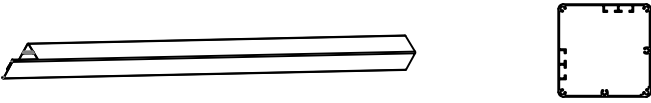
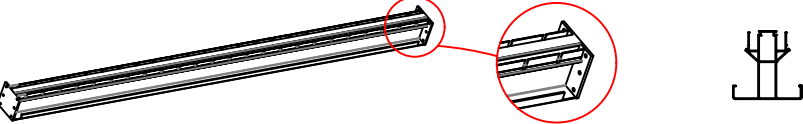
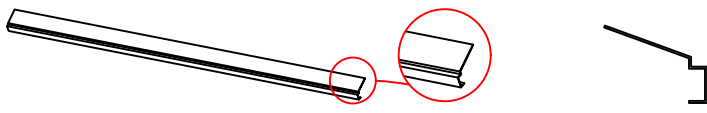


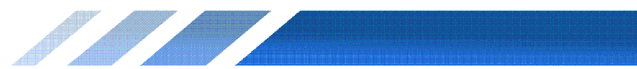


Item	Drawings	Qty
1B-01		4
1B-02		1
1B-03		1
1B-04A		2
1B-04B		2
1B-05A		2
1B-05B		4
1B-06		2
1B-07		64
3B-08A		1
3B-08B		1
3B-08C		1
3B-08D		1





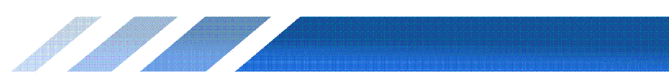
Item	Drawings	Qty
1B-09		4
1B-27		2
1B-28		1
1B-29		2

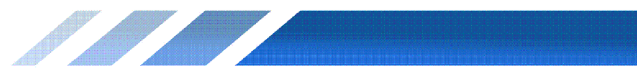
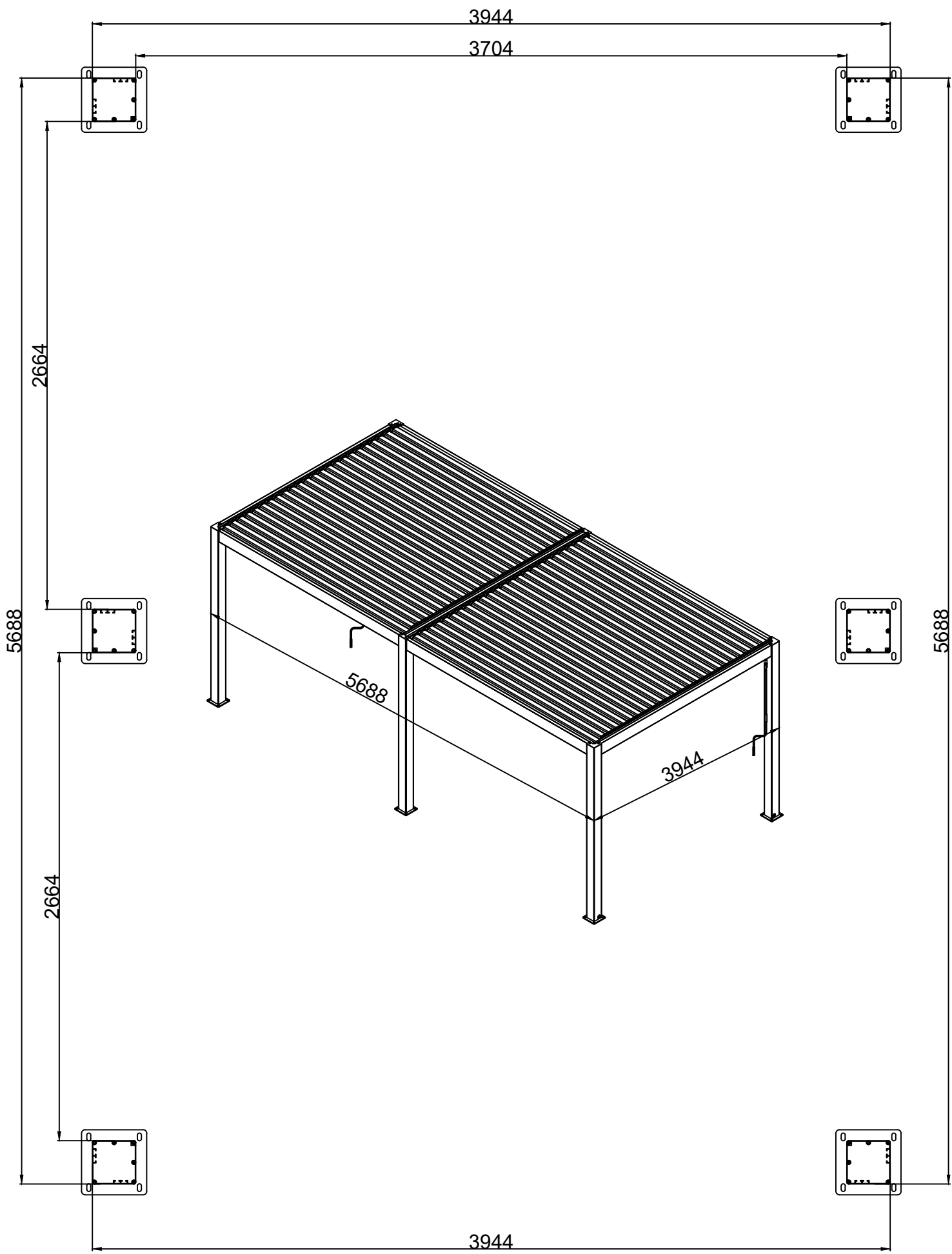


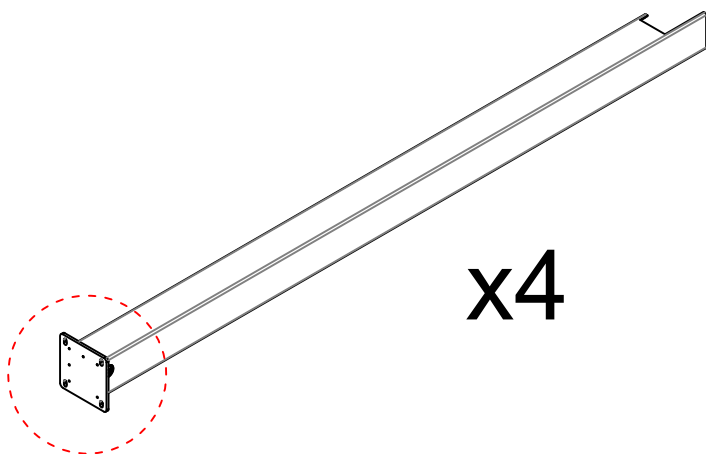
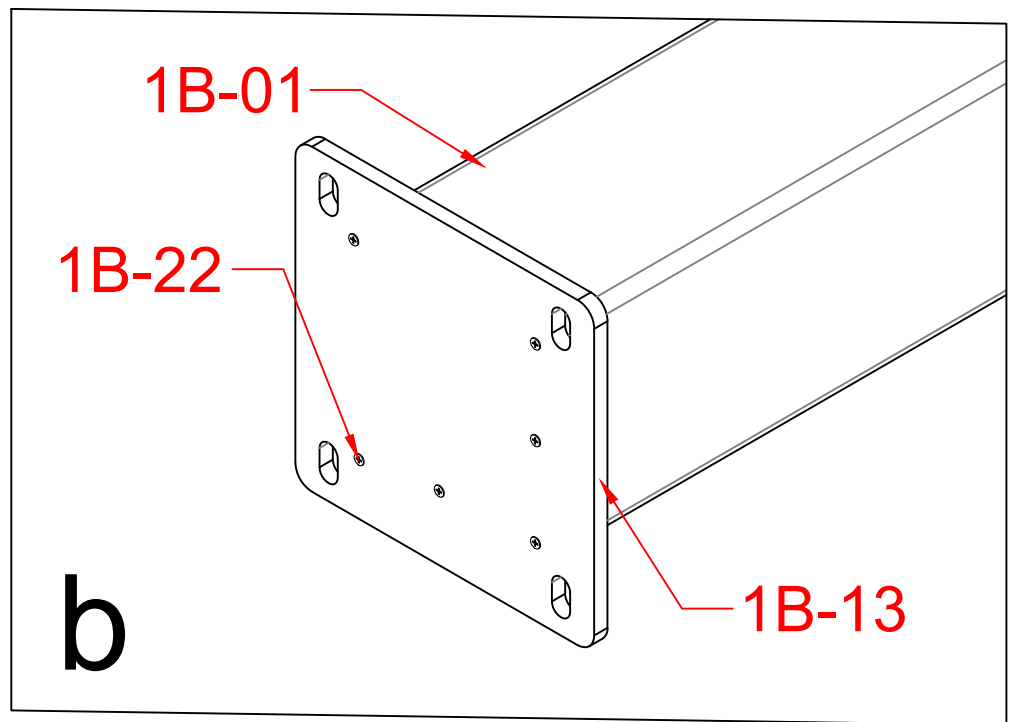
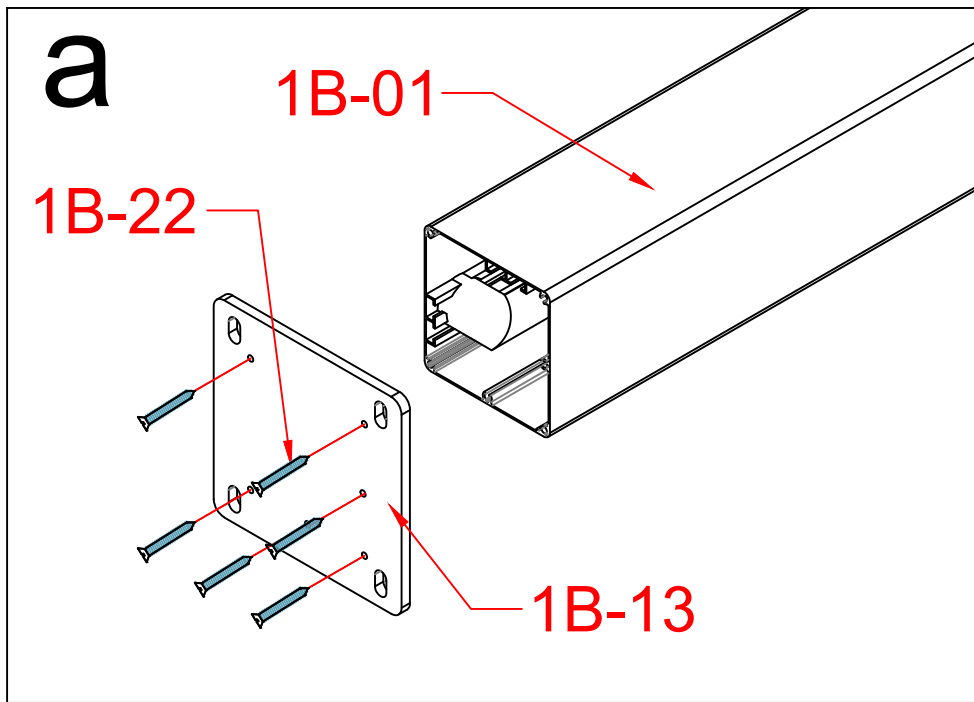


Item	Drawings	Qty
1B-11		4
1B-12		4
1B-13		6
1B-14		2
1B-15		2
1B-18		1
1B-19	 M8*20	12
1B-20		132+2
1B-21	 M10*80	24
1B-22		36+2
1B-23	 M4.2*19	46

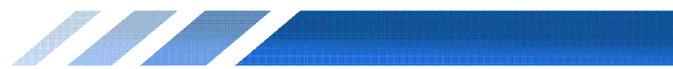
Item	Drawings	Qty
1B-24		1
1B-25	 M8*25	16
1B-26		2
1B-29	 M8*10	16
1B-16		2
1B-17		2



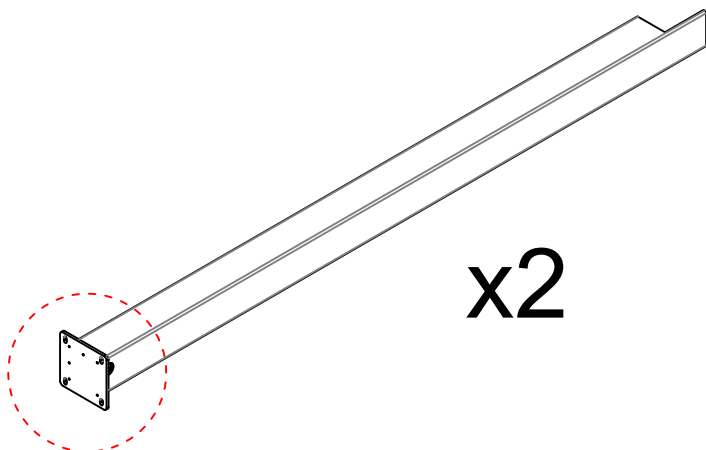
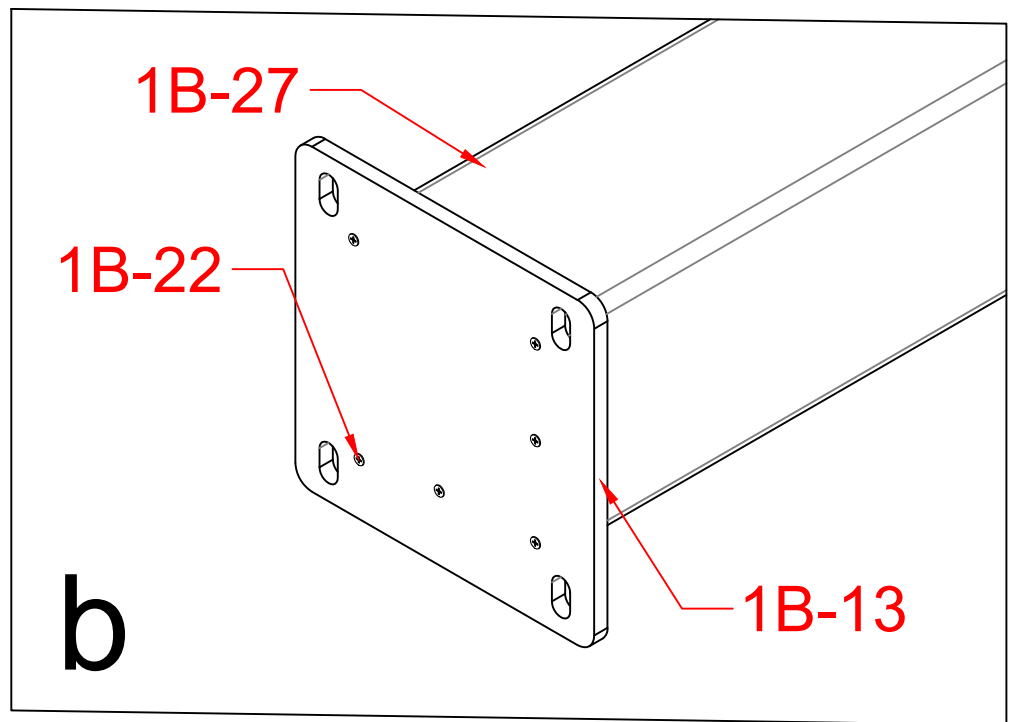
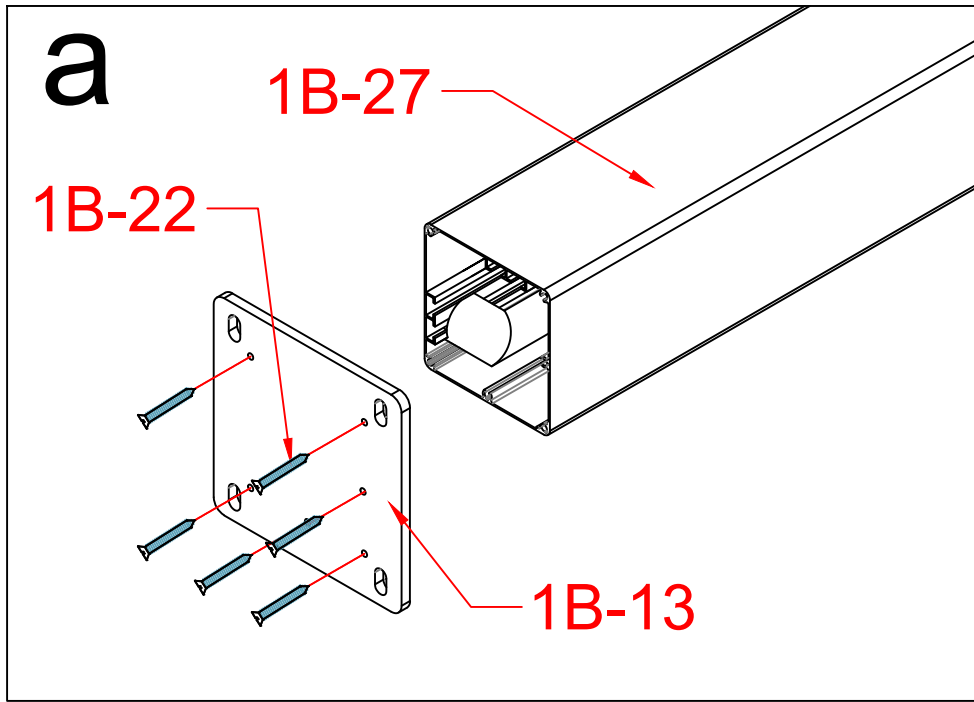




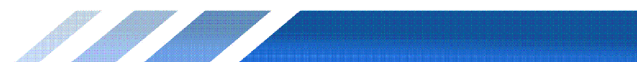
1B-01		4
1B-13		4
1B-22		24

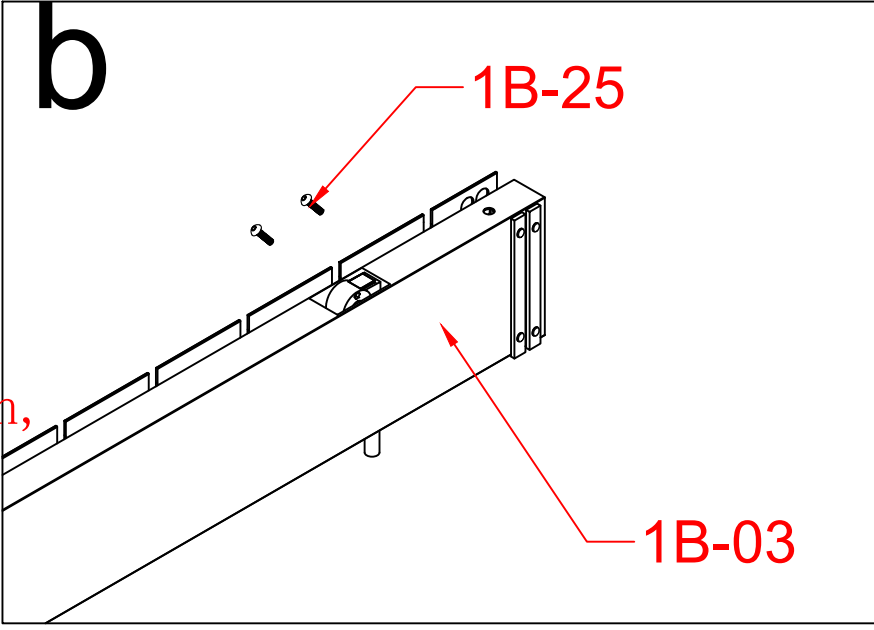
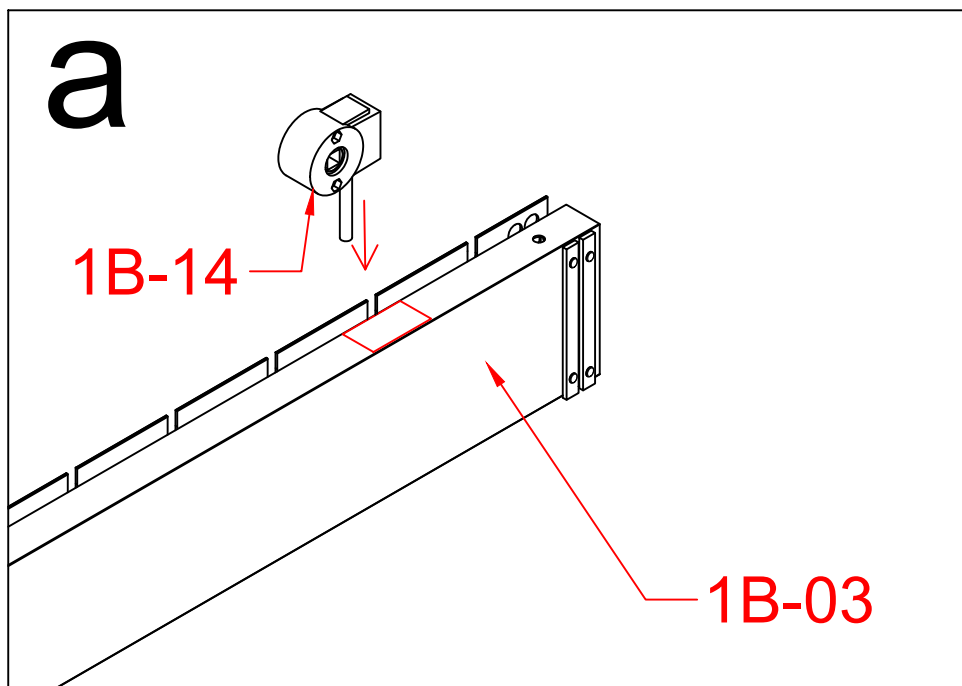




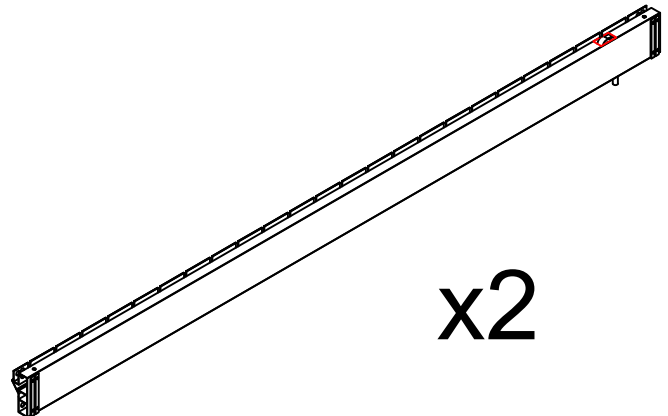


1B-27		2
1B-13		2
1B-22		12

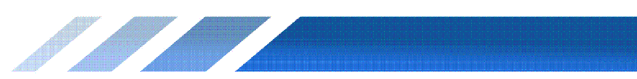


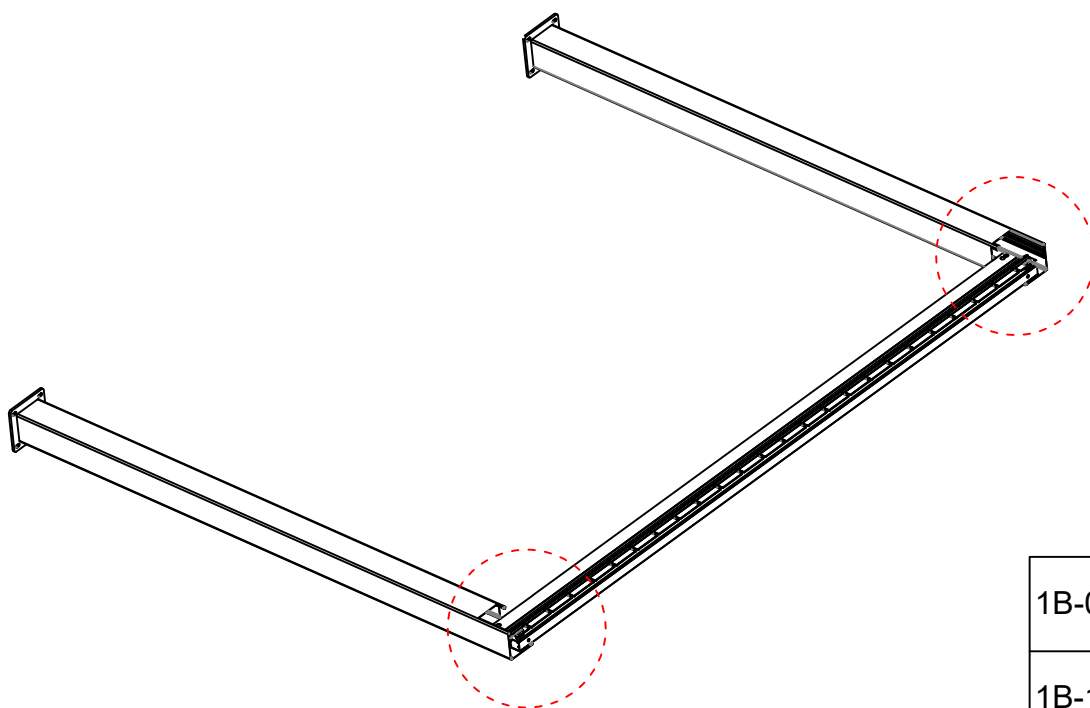
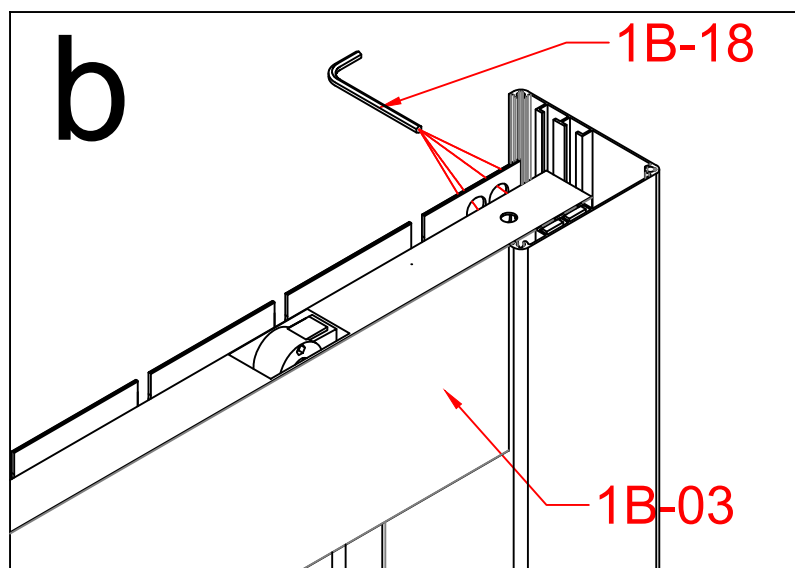
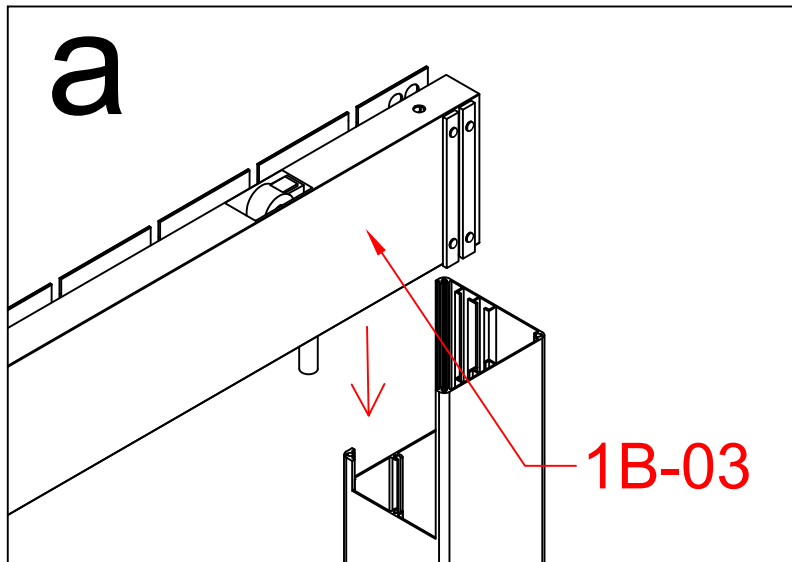


Warning:  
The manual operation nose on both sides need symmetrical installation, please pay attention to distinguish

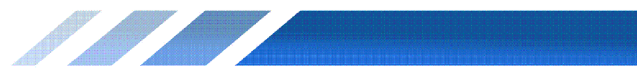


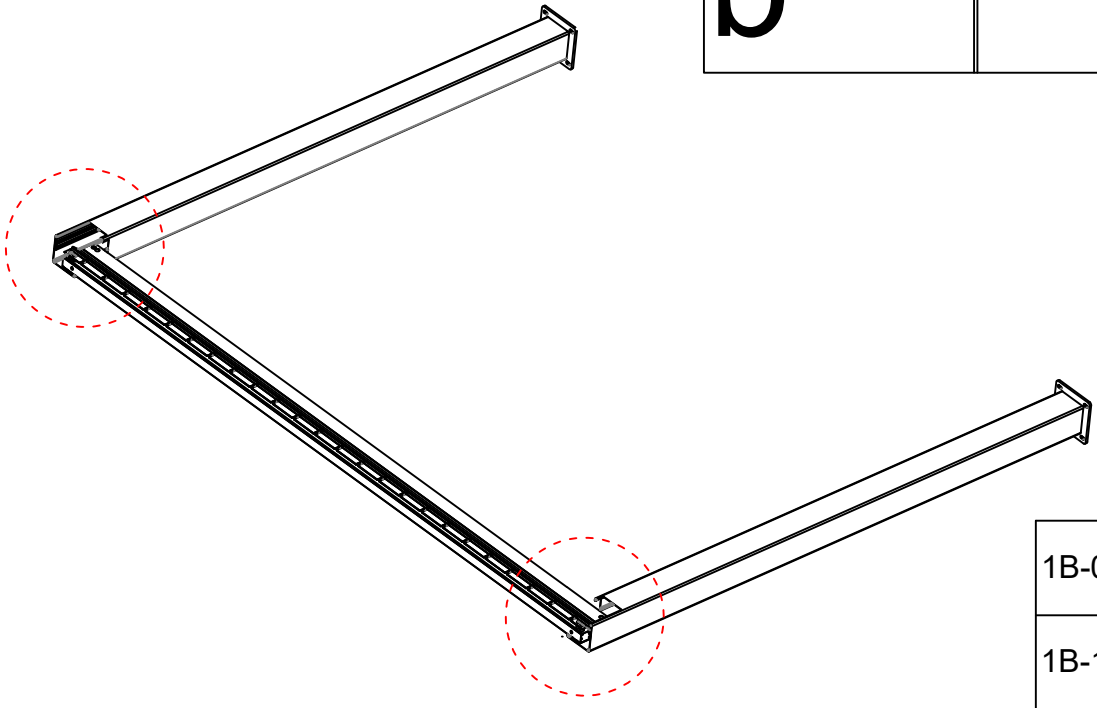
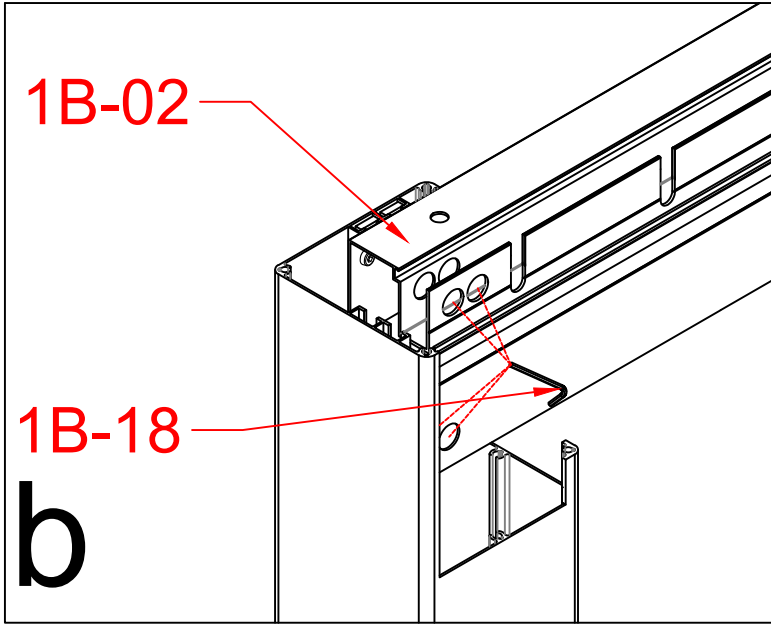
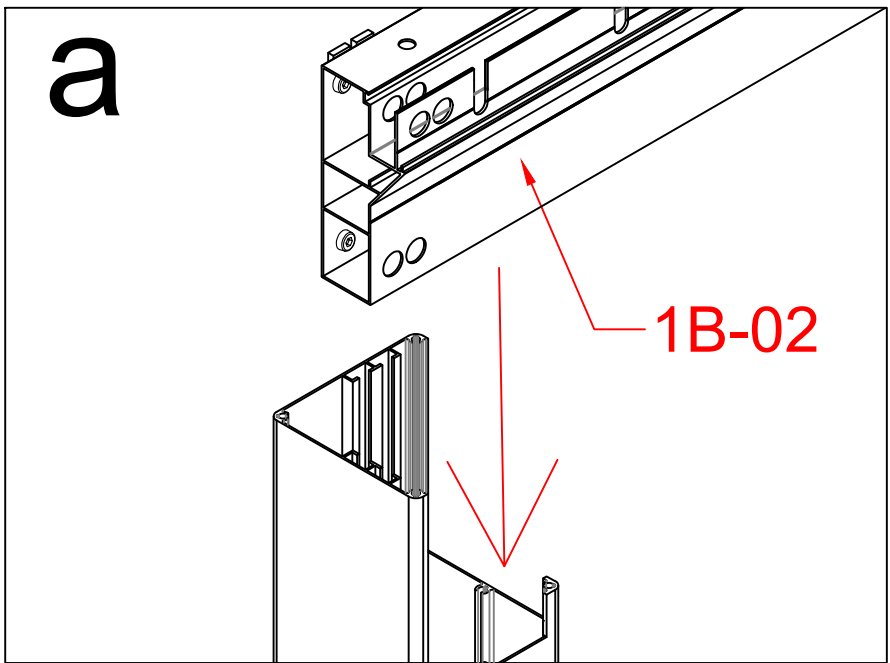
1B-02			1
1B-03			1
1B-14			2



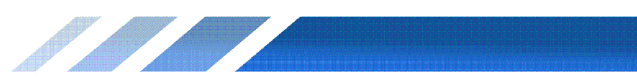


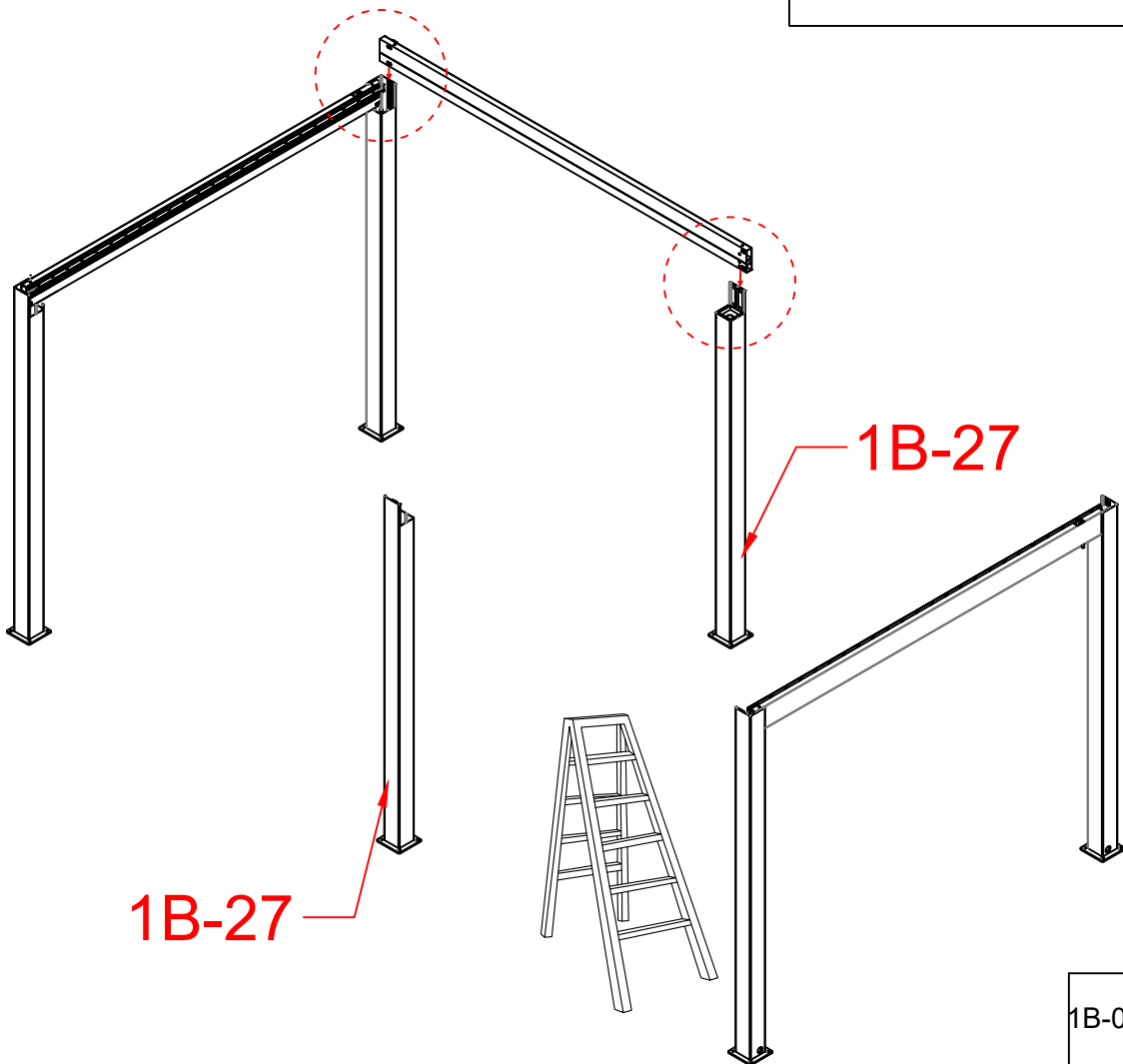
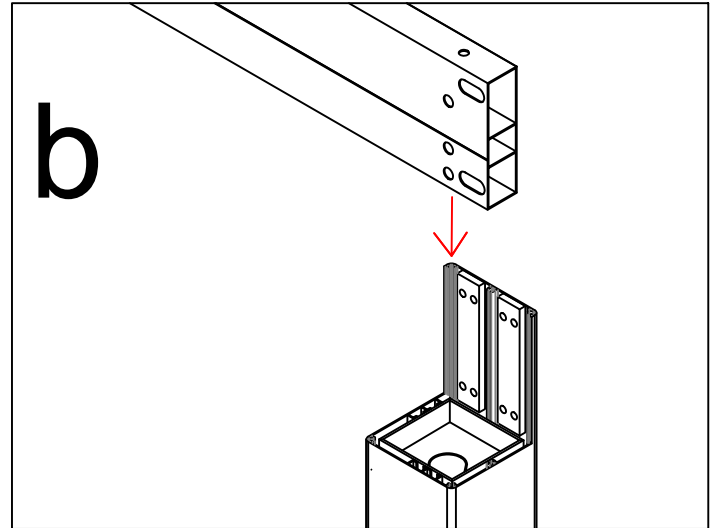
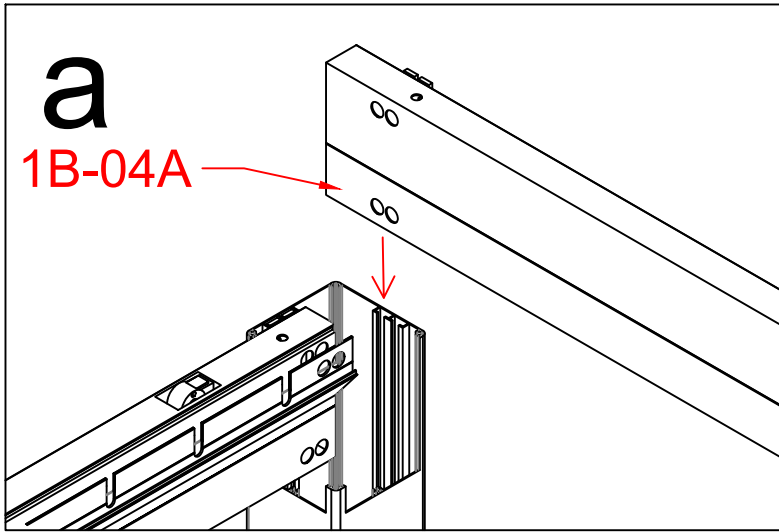
1B-03			1
1B-18			1



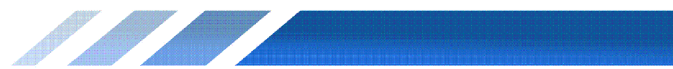


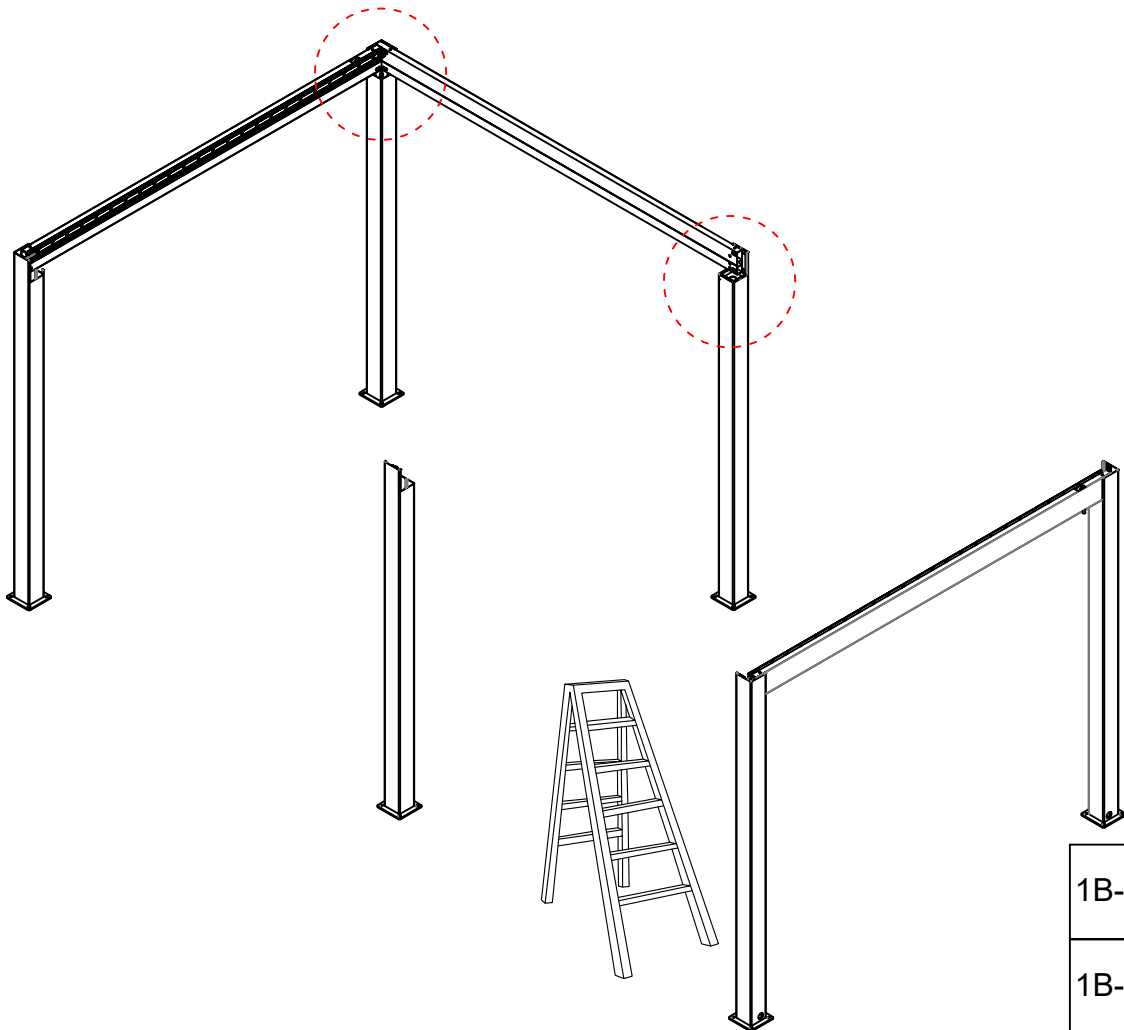
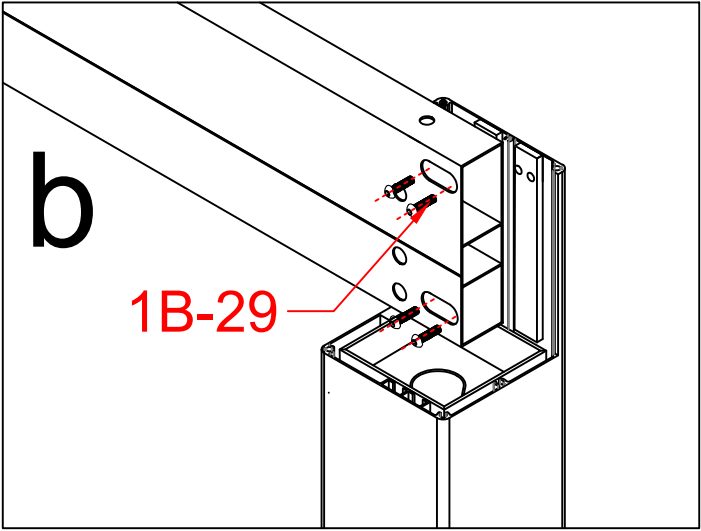
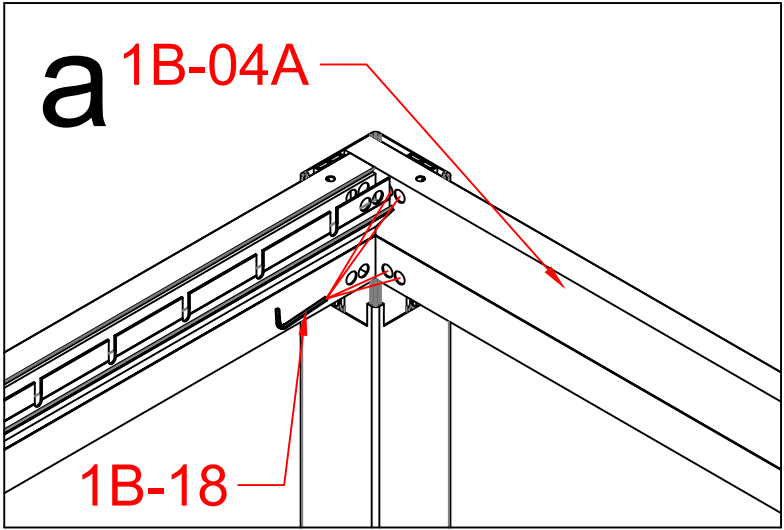
1B-02			1
1B-18			1





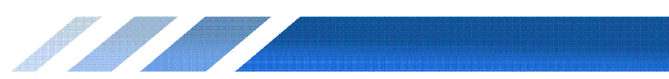


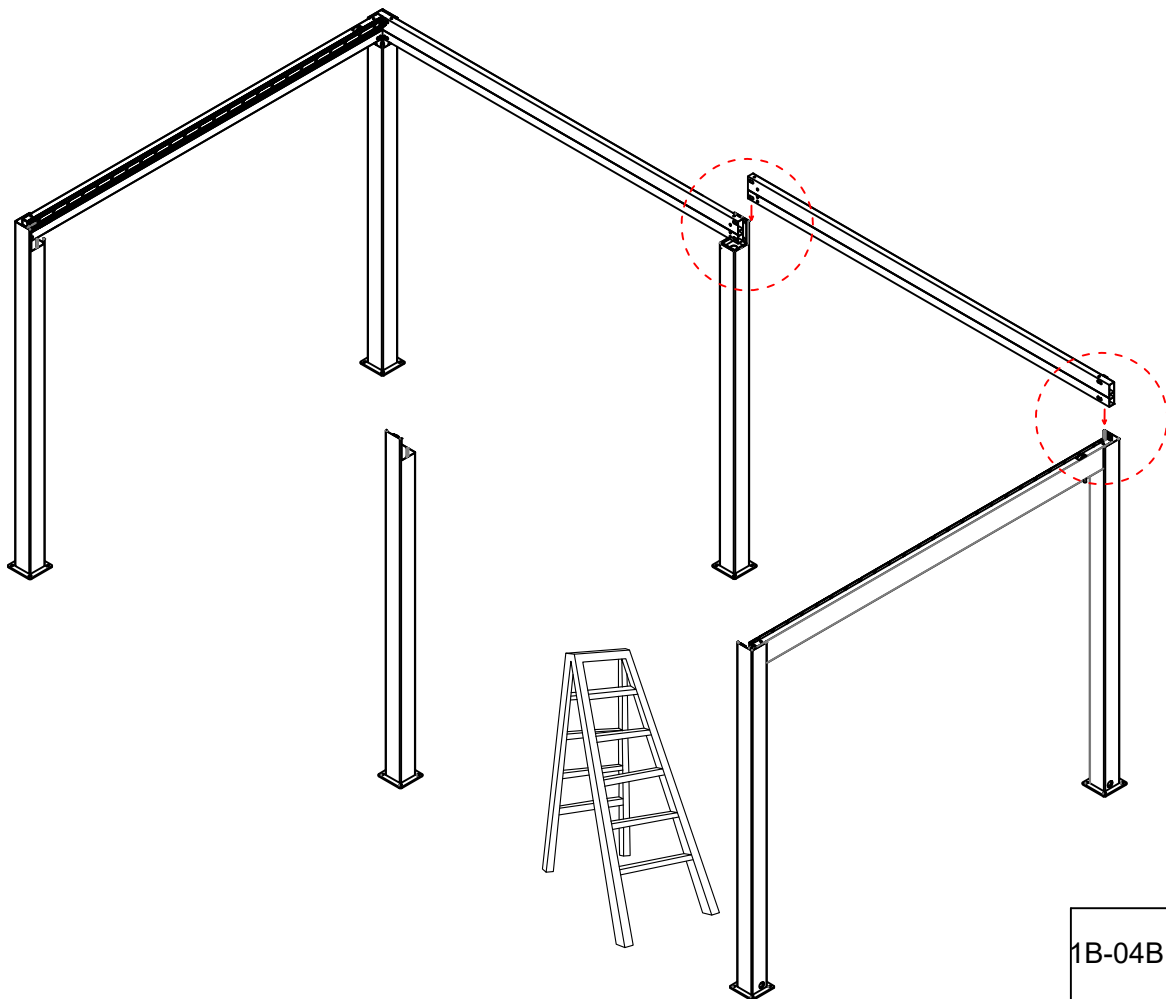
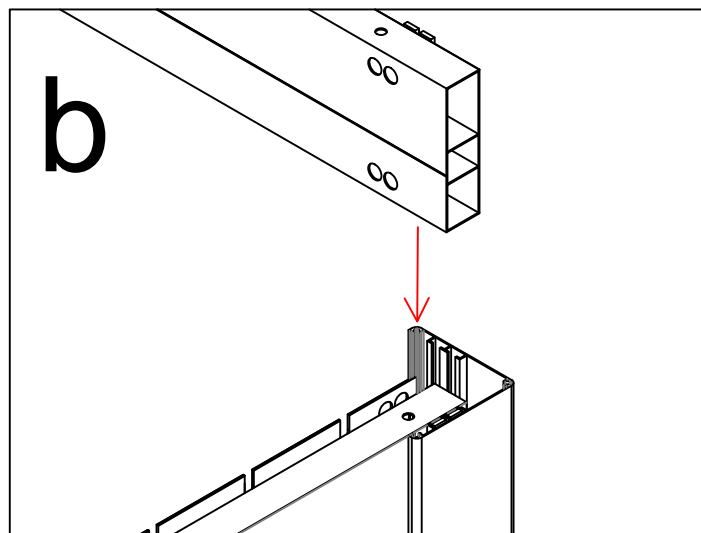
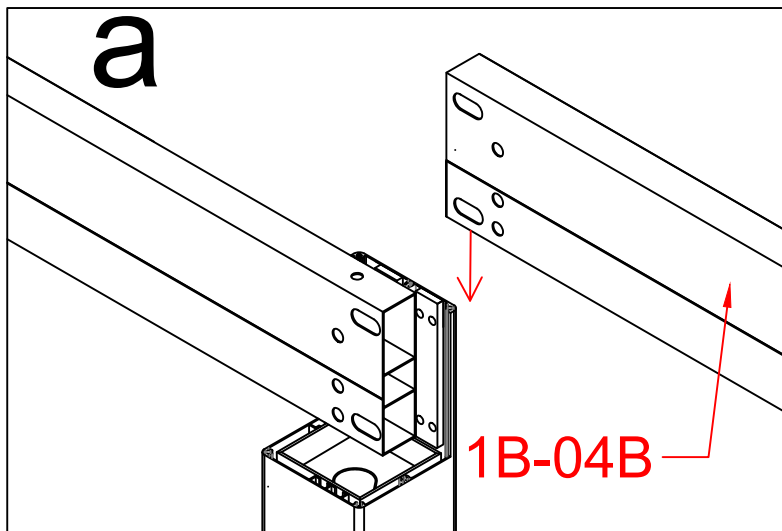
1B-04A			1
--------	--	--	---



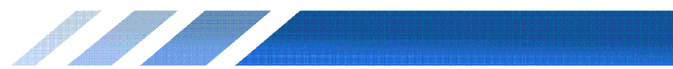


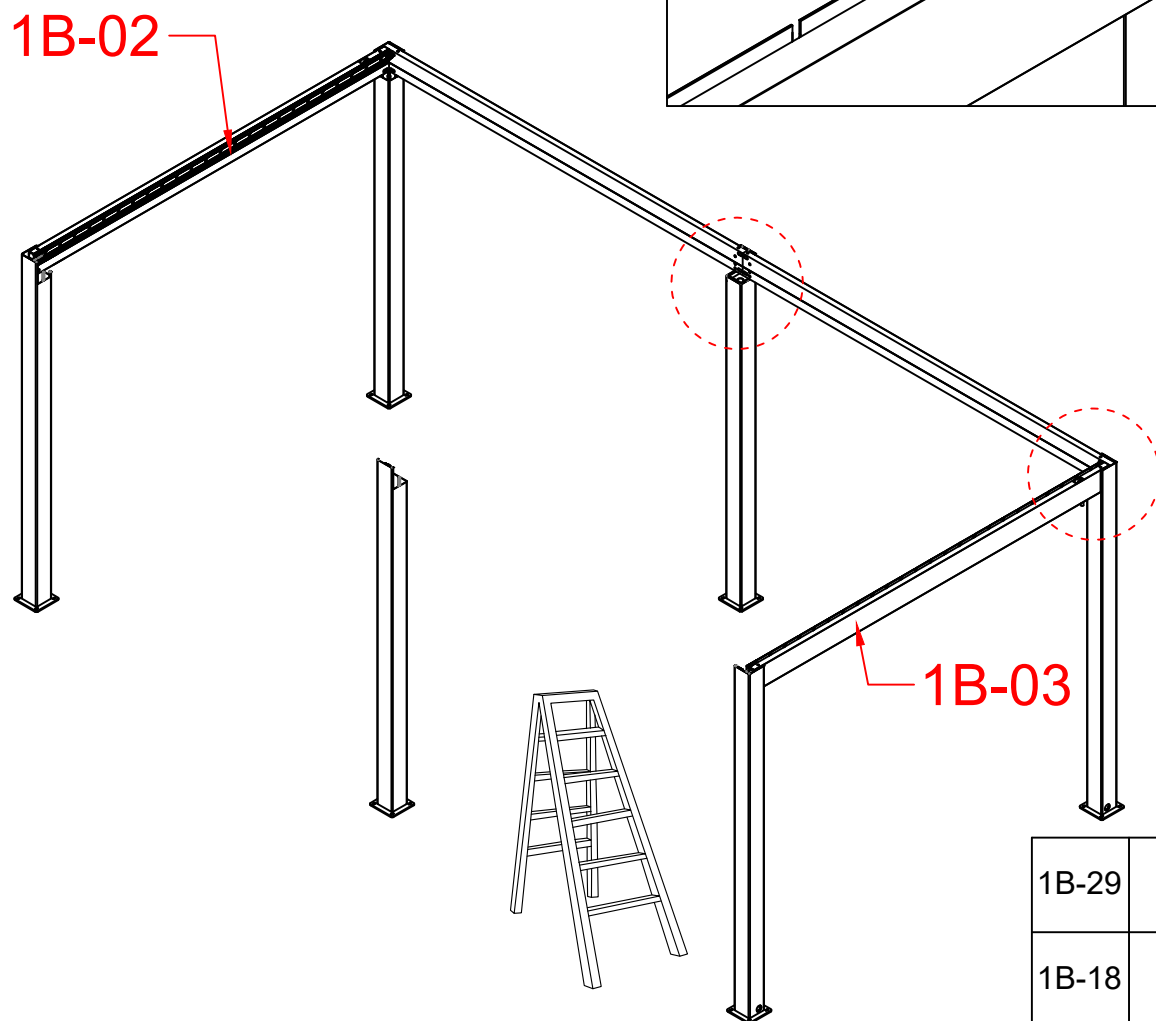
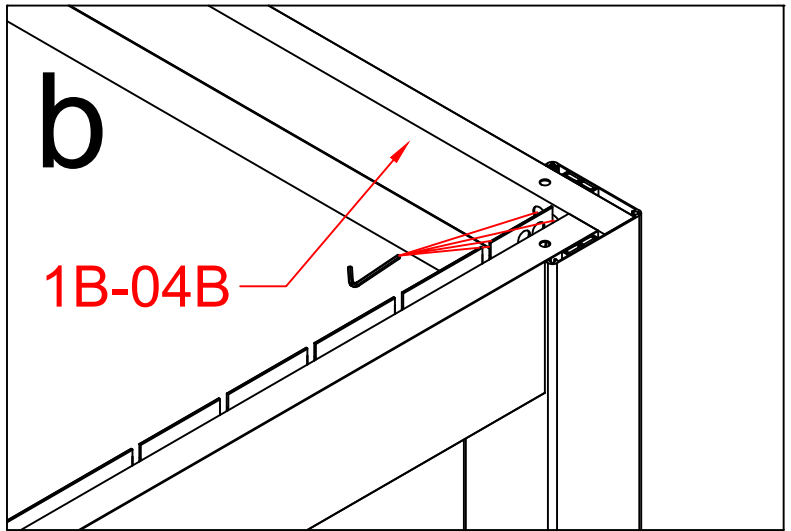
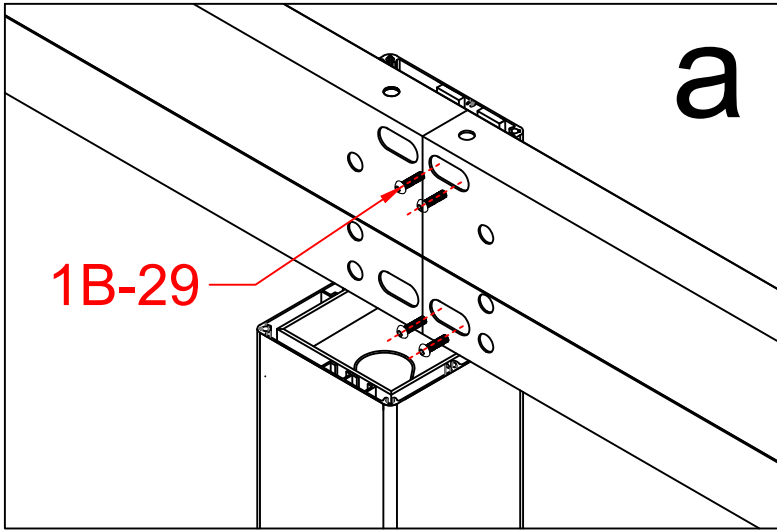
1B-29		4
1B-18		1





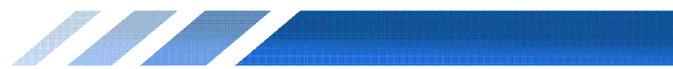


1B-04B			1
--------	--	--	---

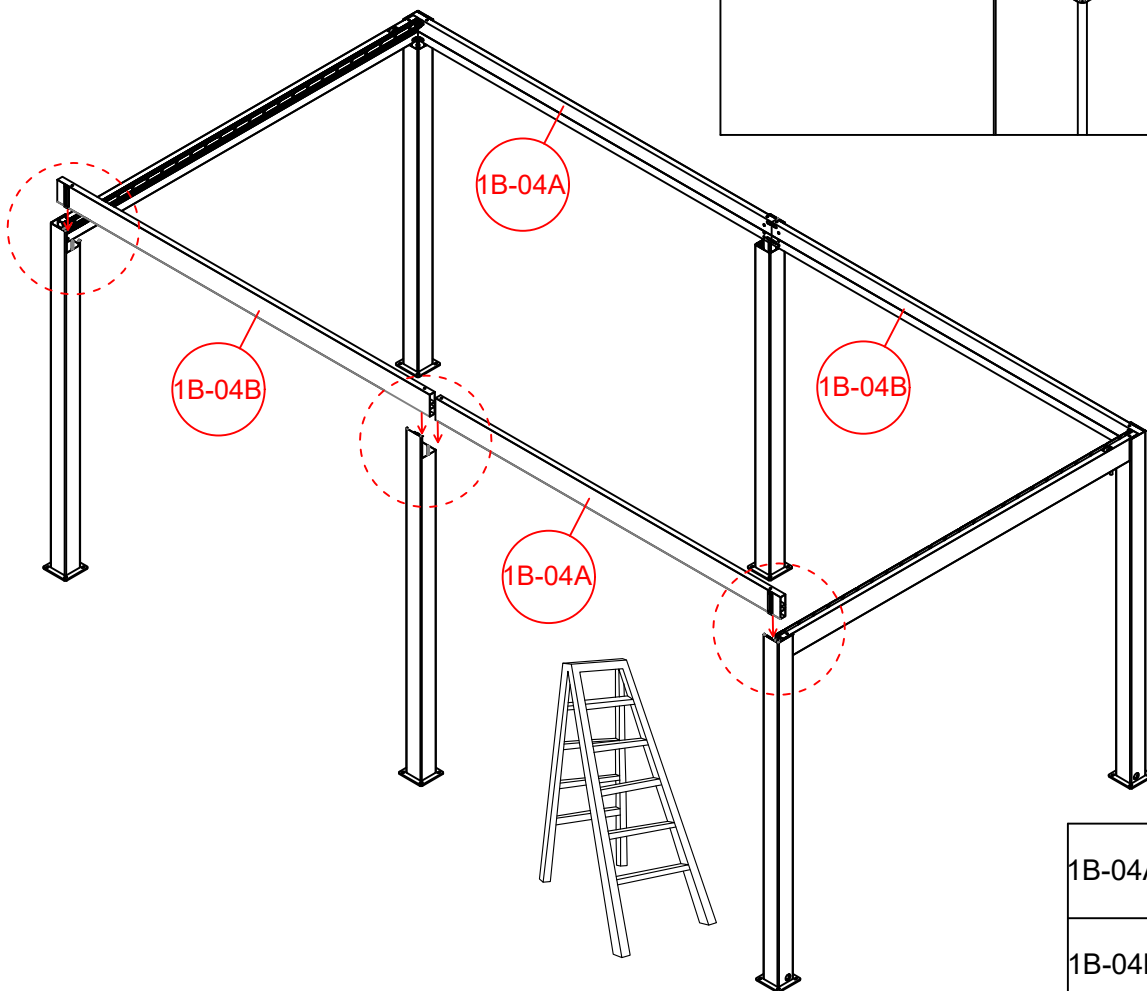
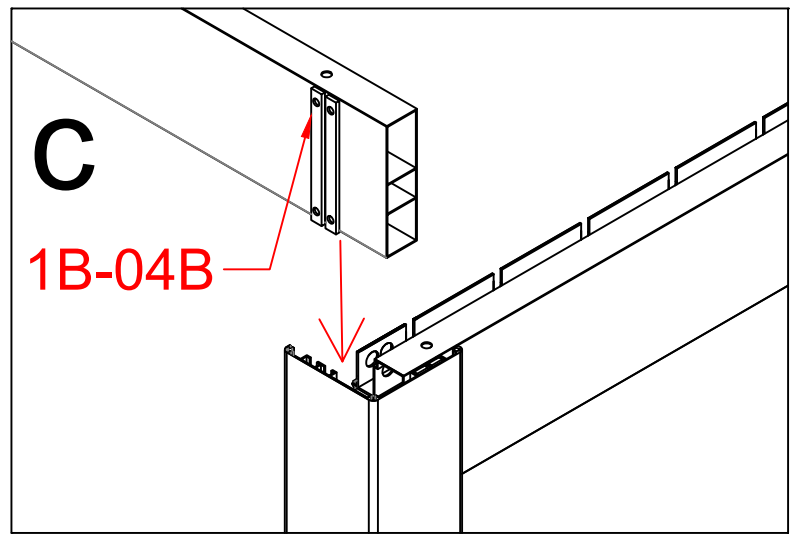
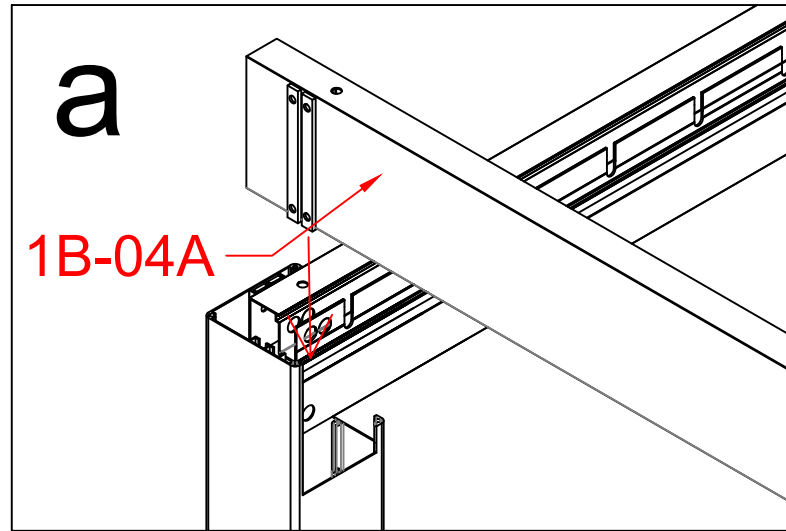
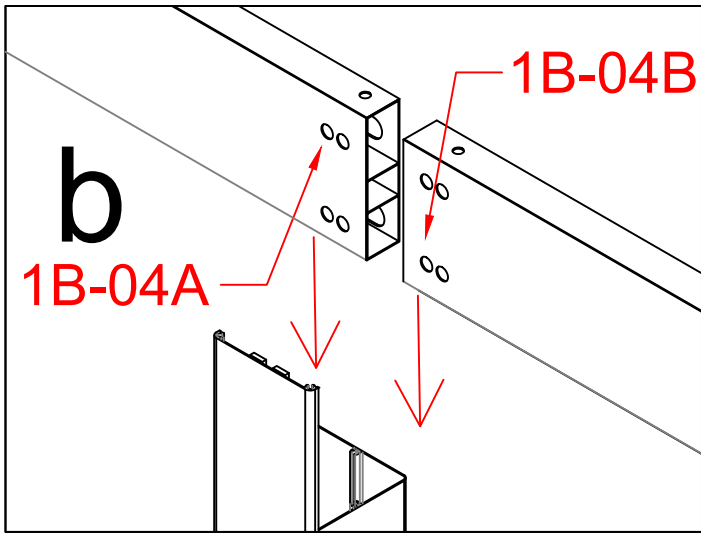








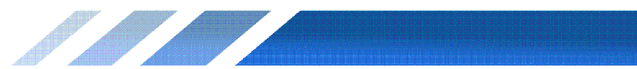
1B-29		4
1B-18		1

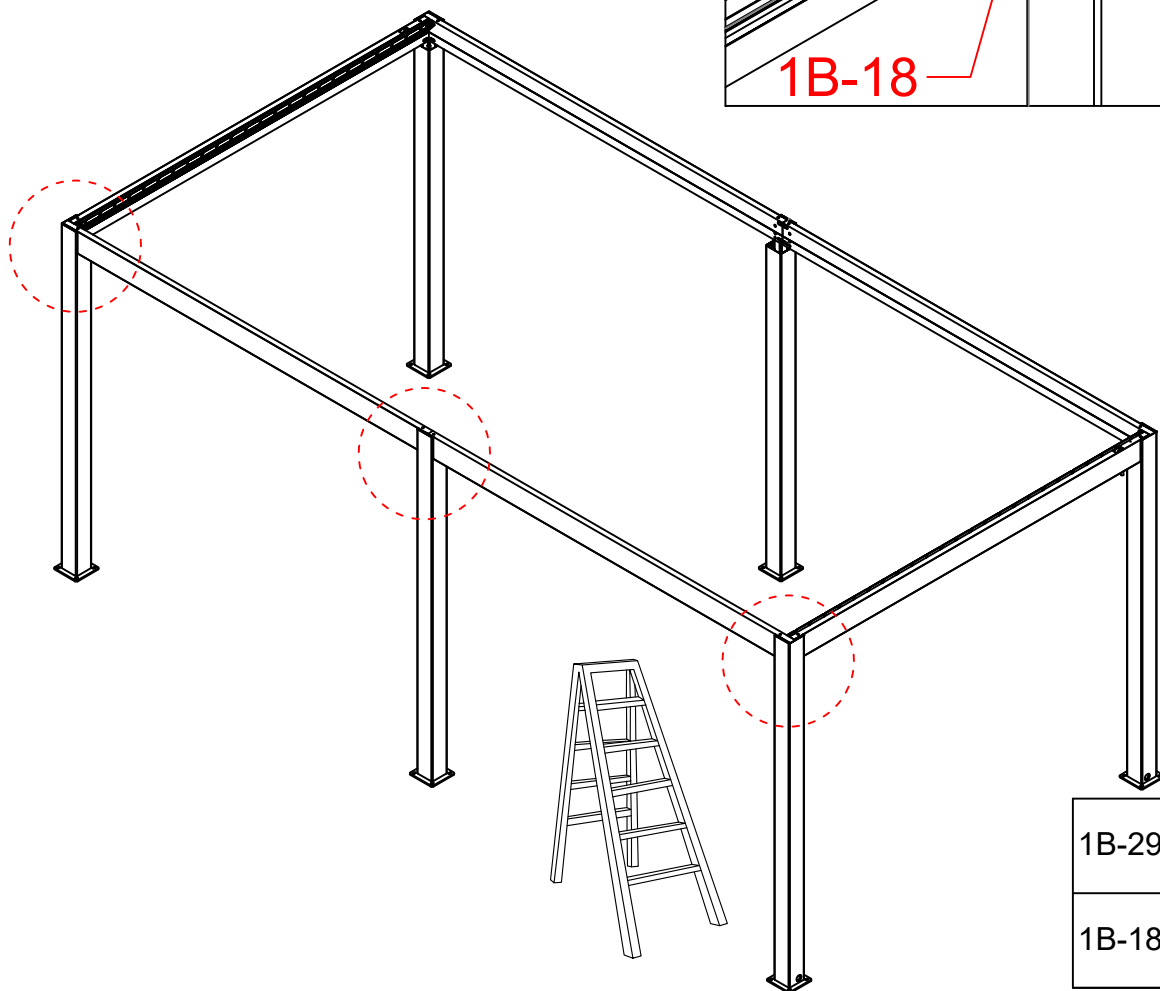
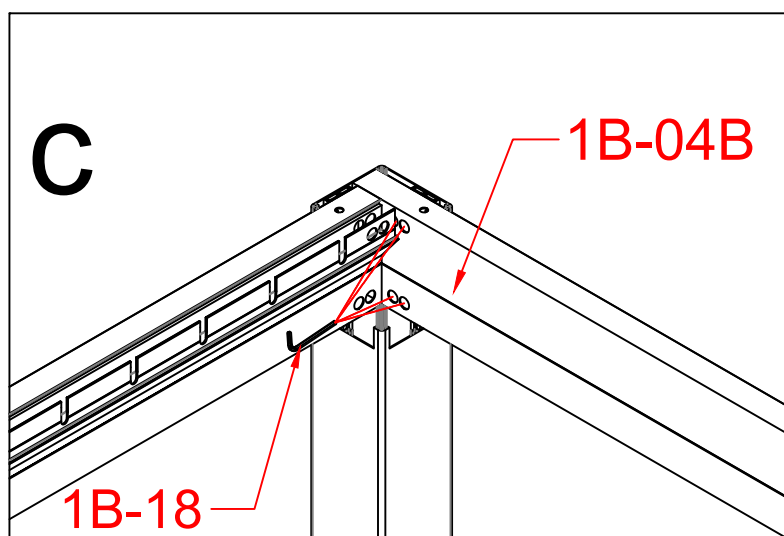
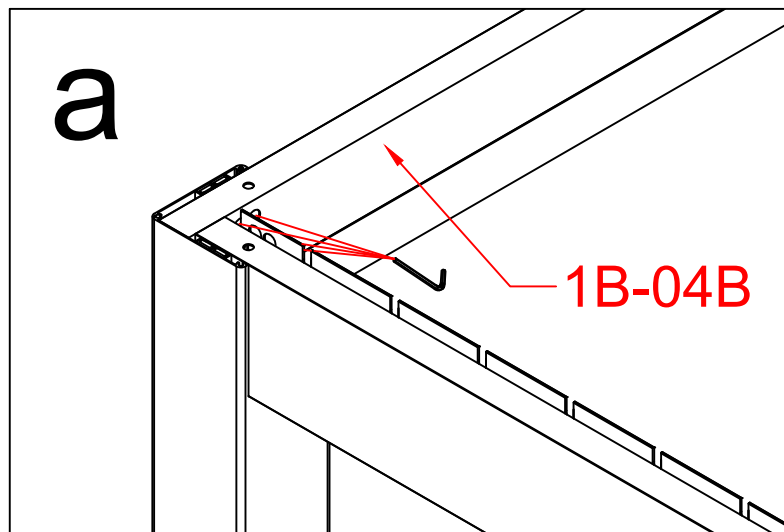
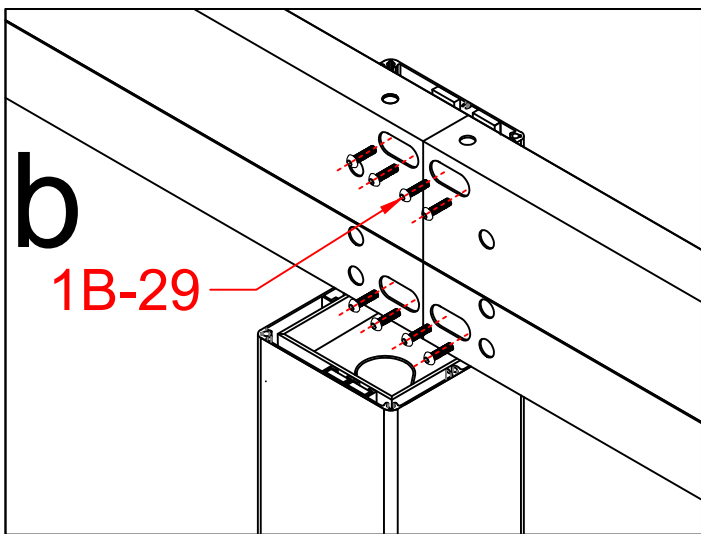






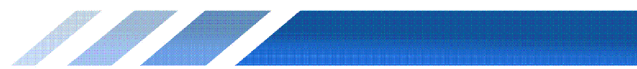


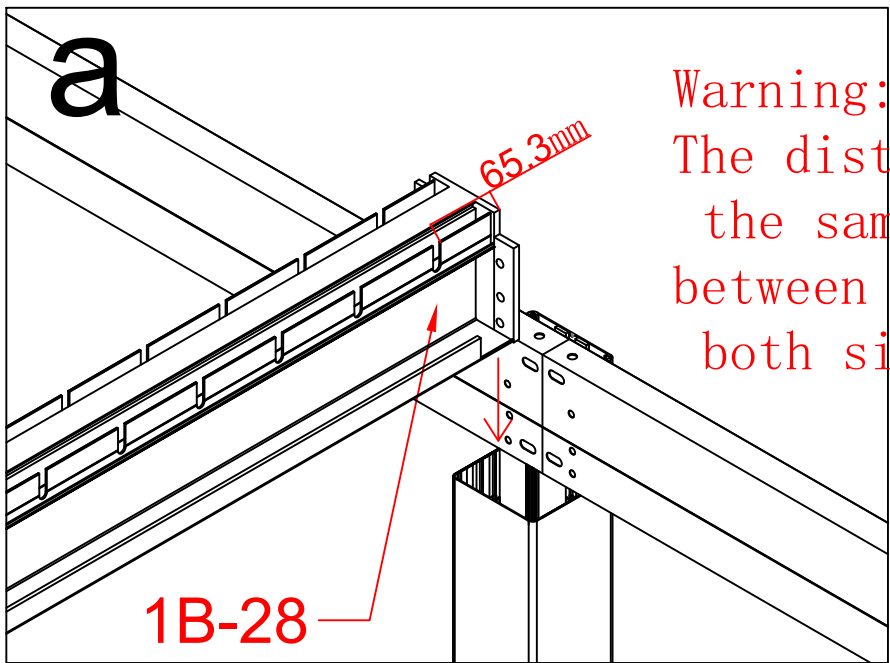
1B-04A			1
1B-04B			1



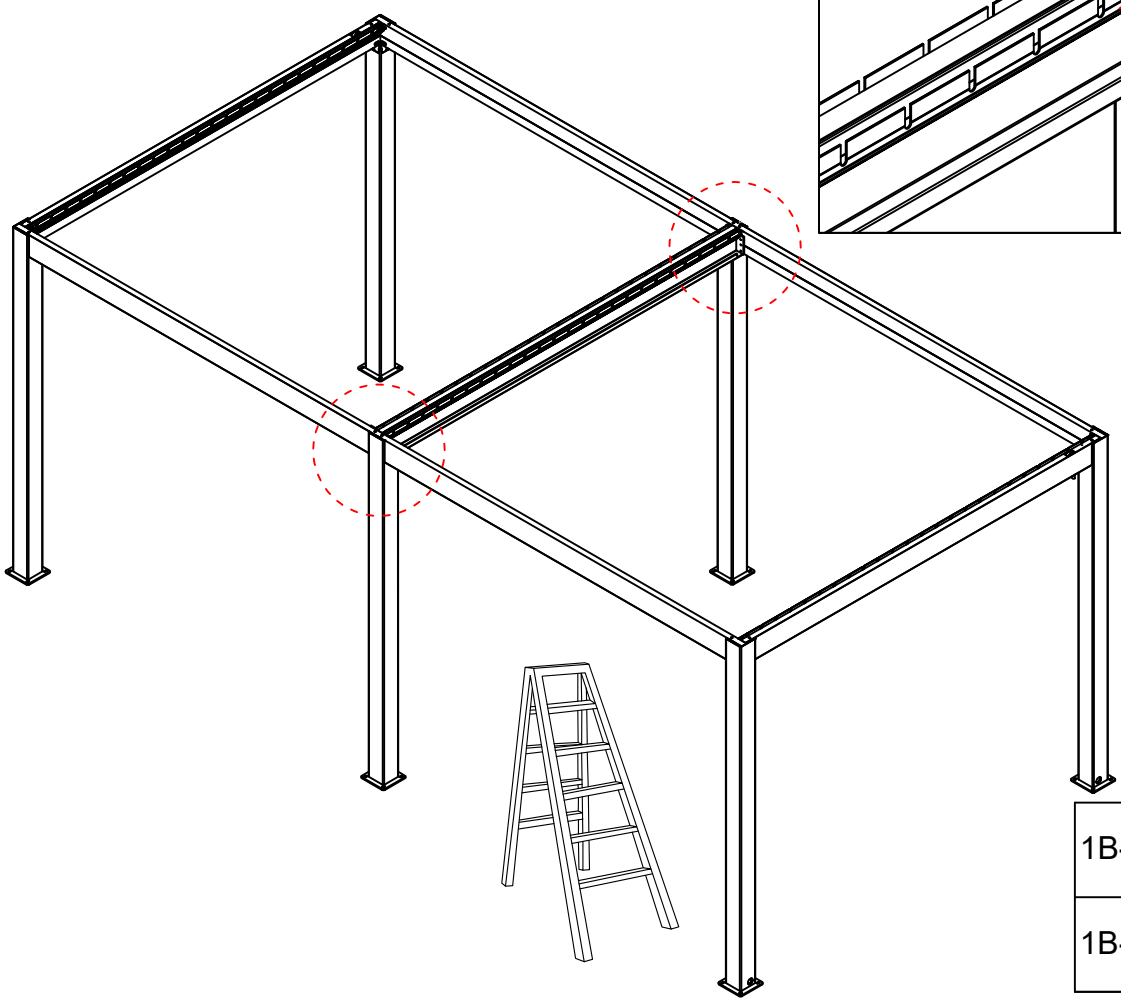
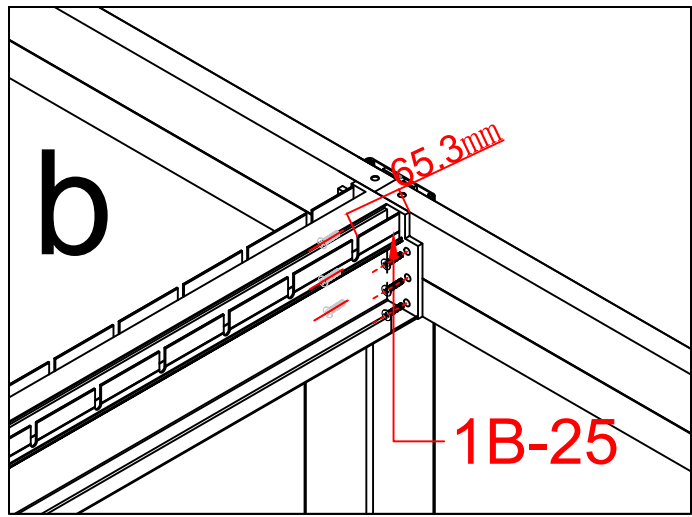


1B-29		8
1B-18		1

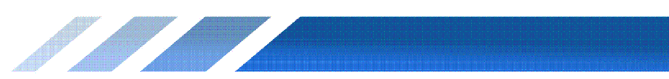




Warning:  
The distance here should be  
the same as the distance  
between the main frames on  
both sides



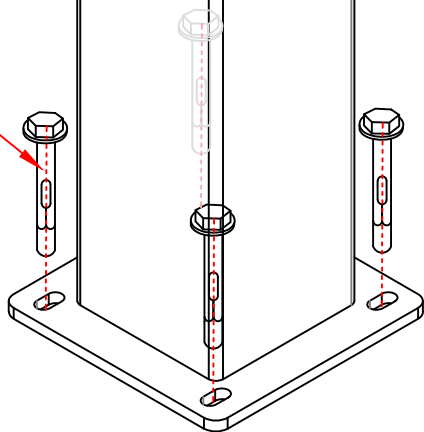
1B-28		1
1B-25		12





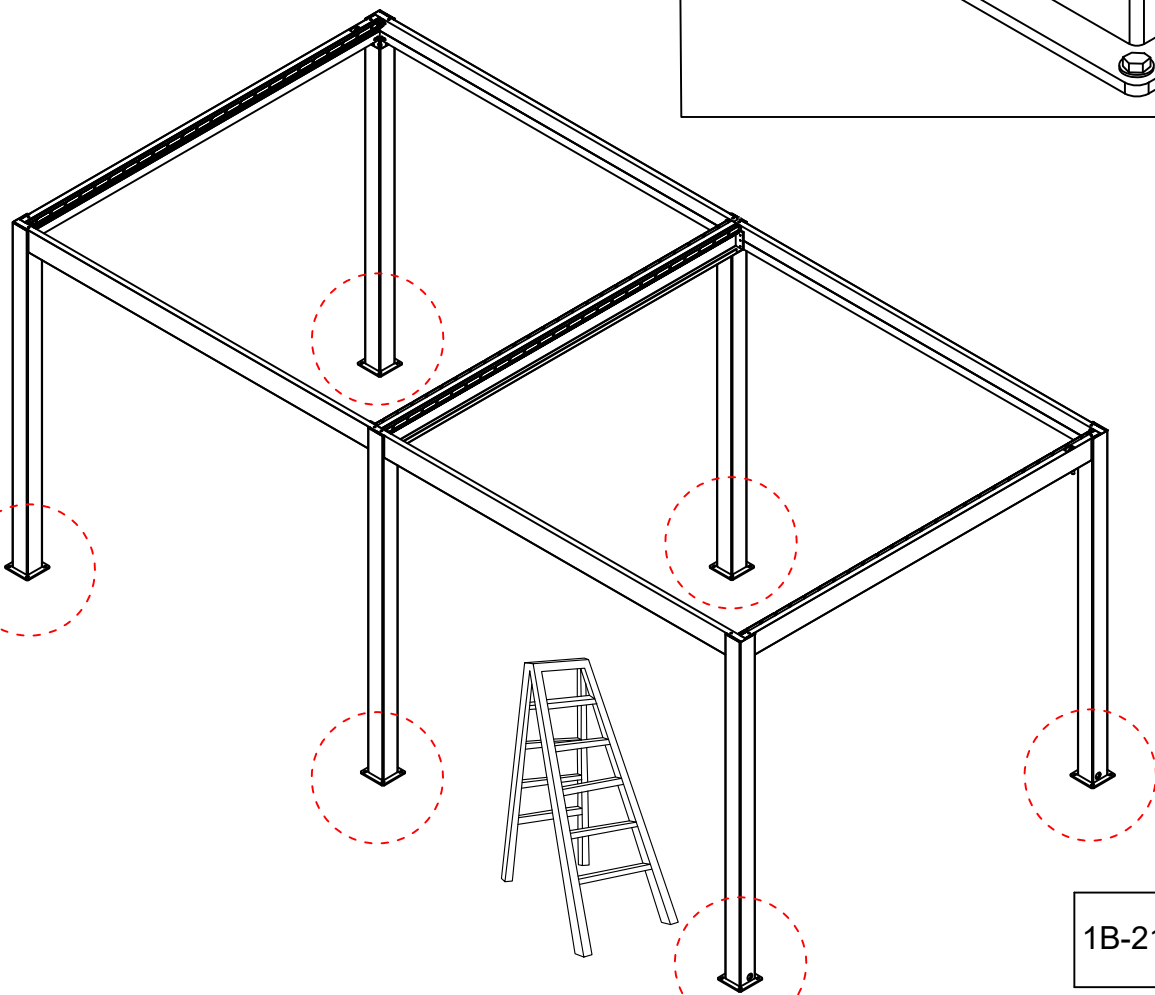
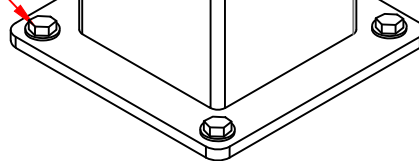
**a**

1B-21



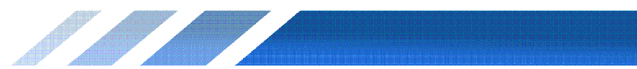
**b**

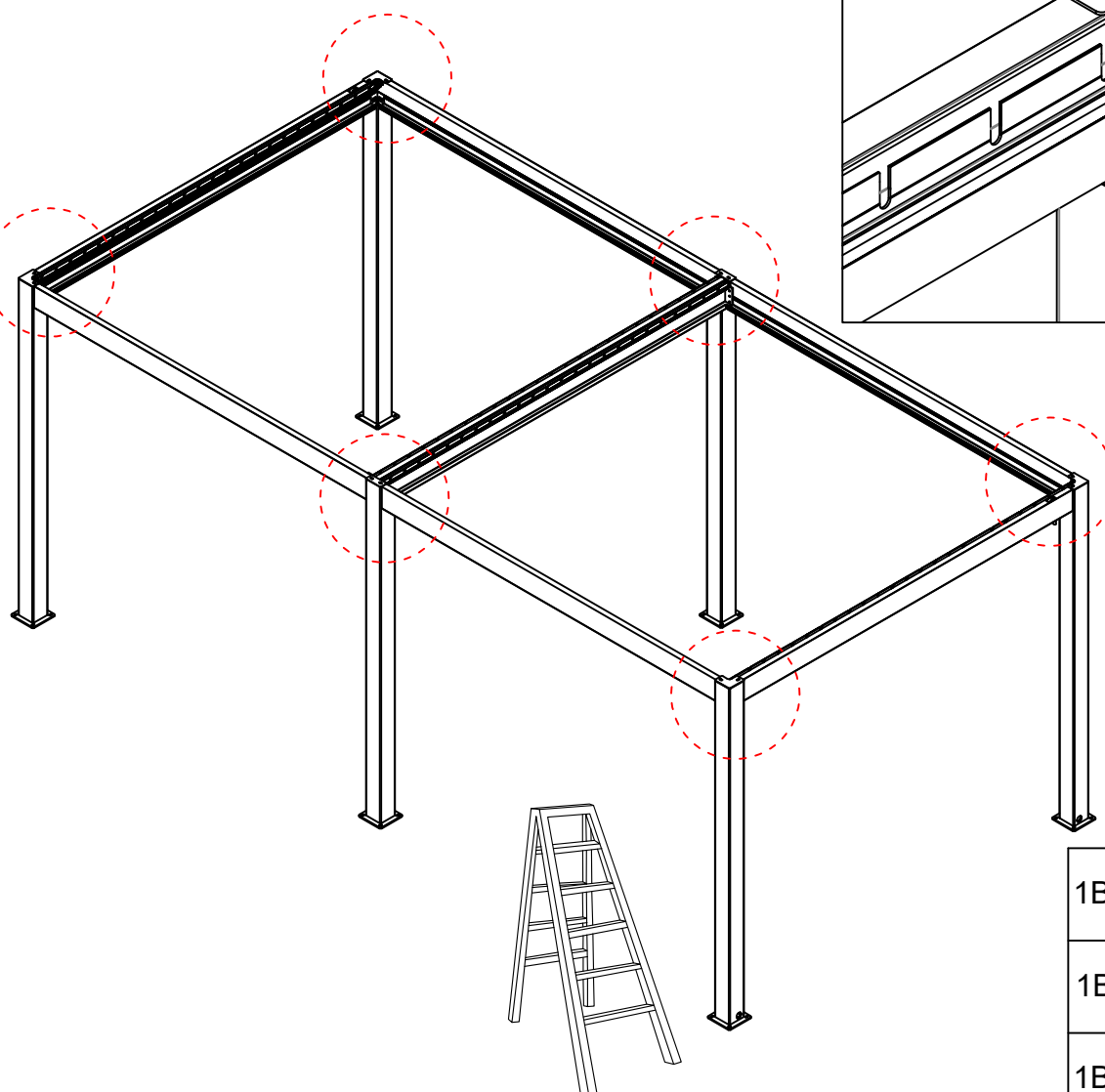
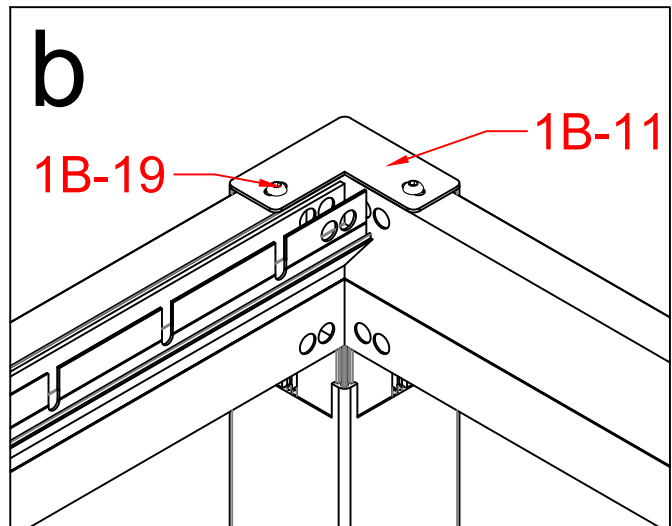
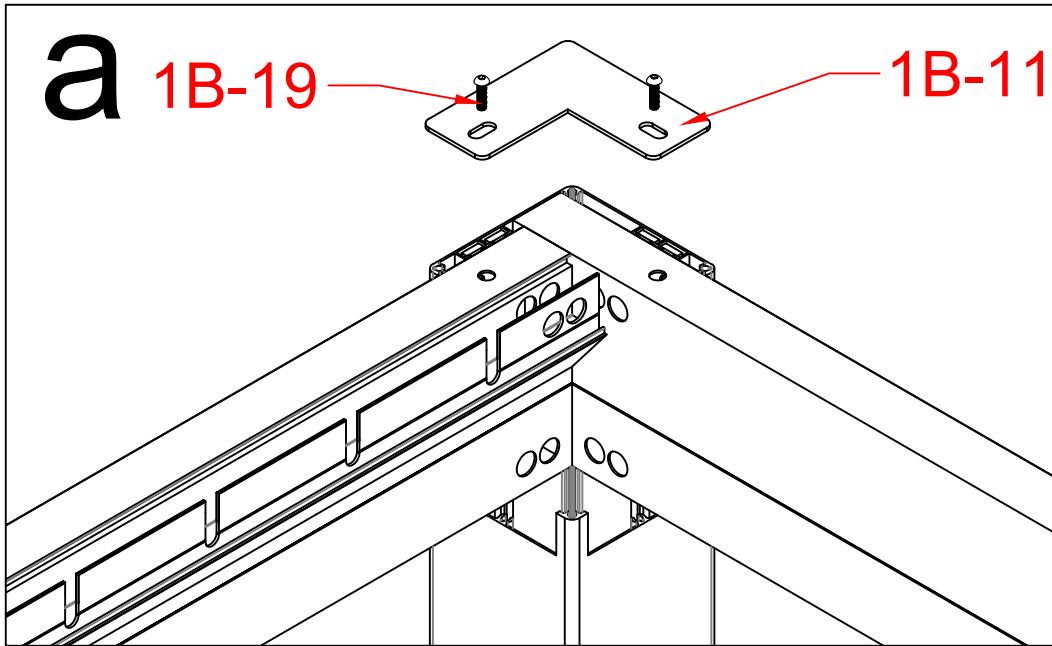
1B-21


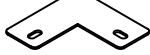



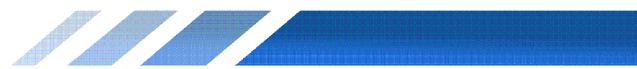
13

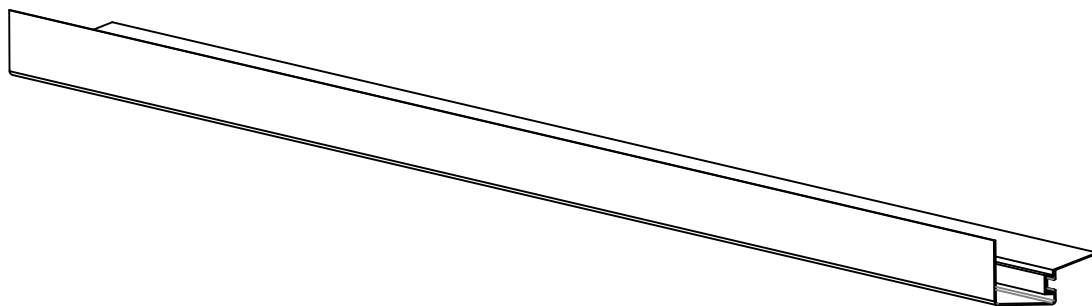
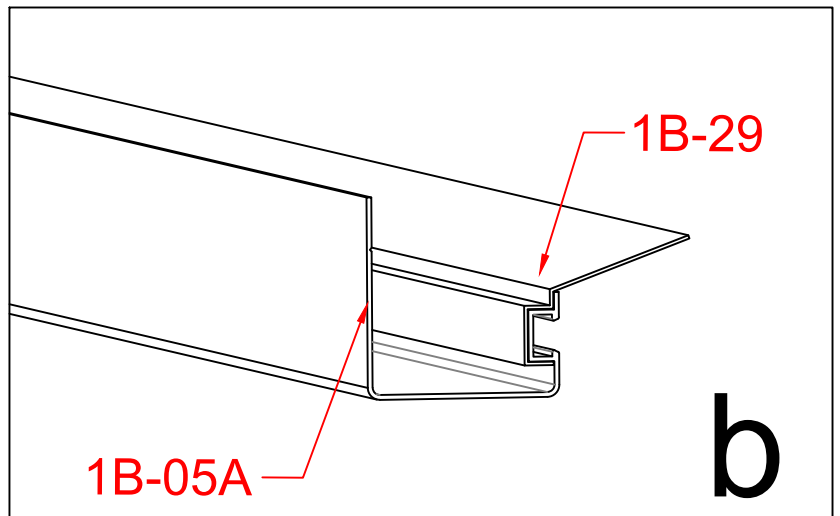
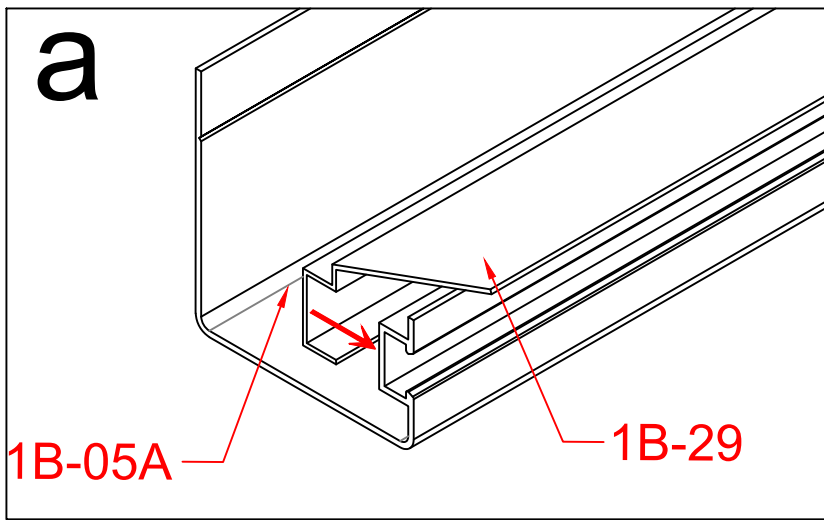
1B-21		24
-------	--	----



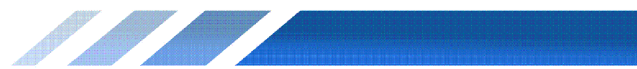


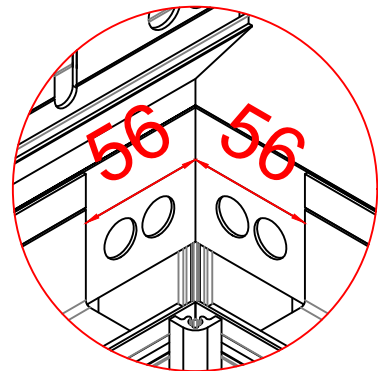
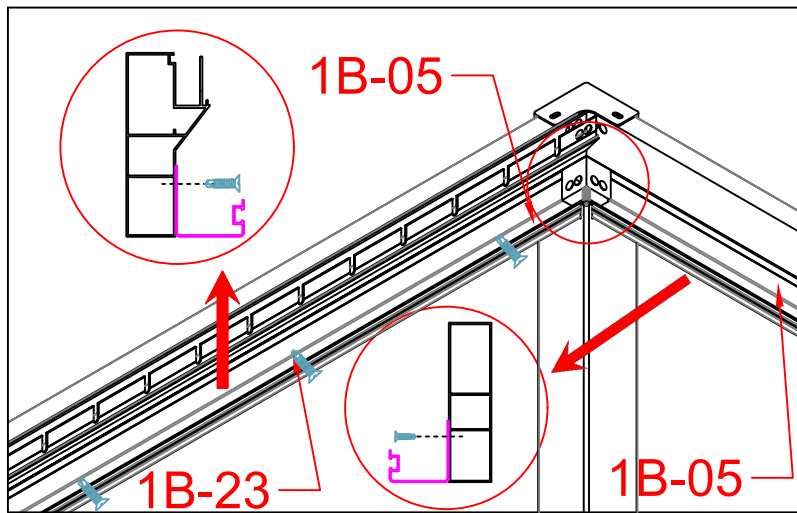
1B-26		2
1B-11		4
1B-19		12



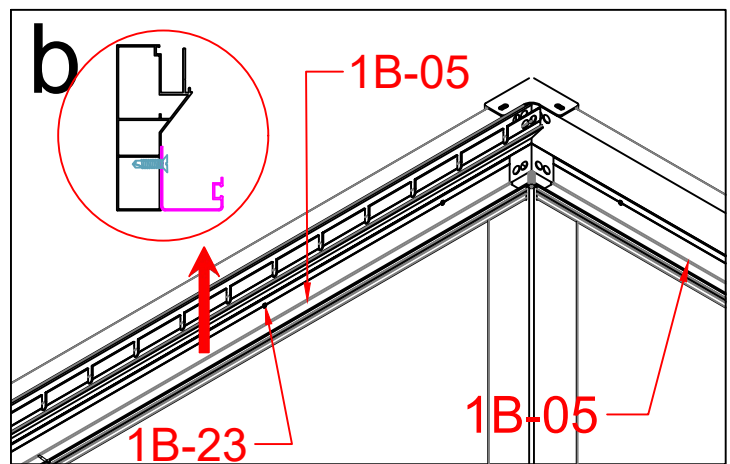
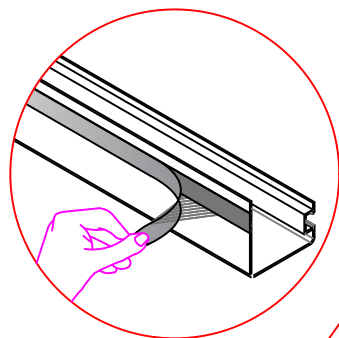


1B-05A		2
1B-29		2

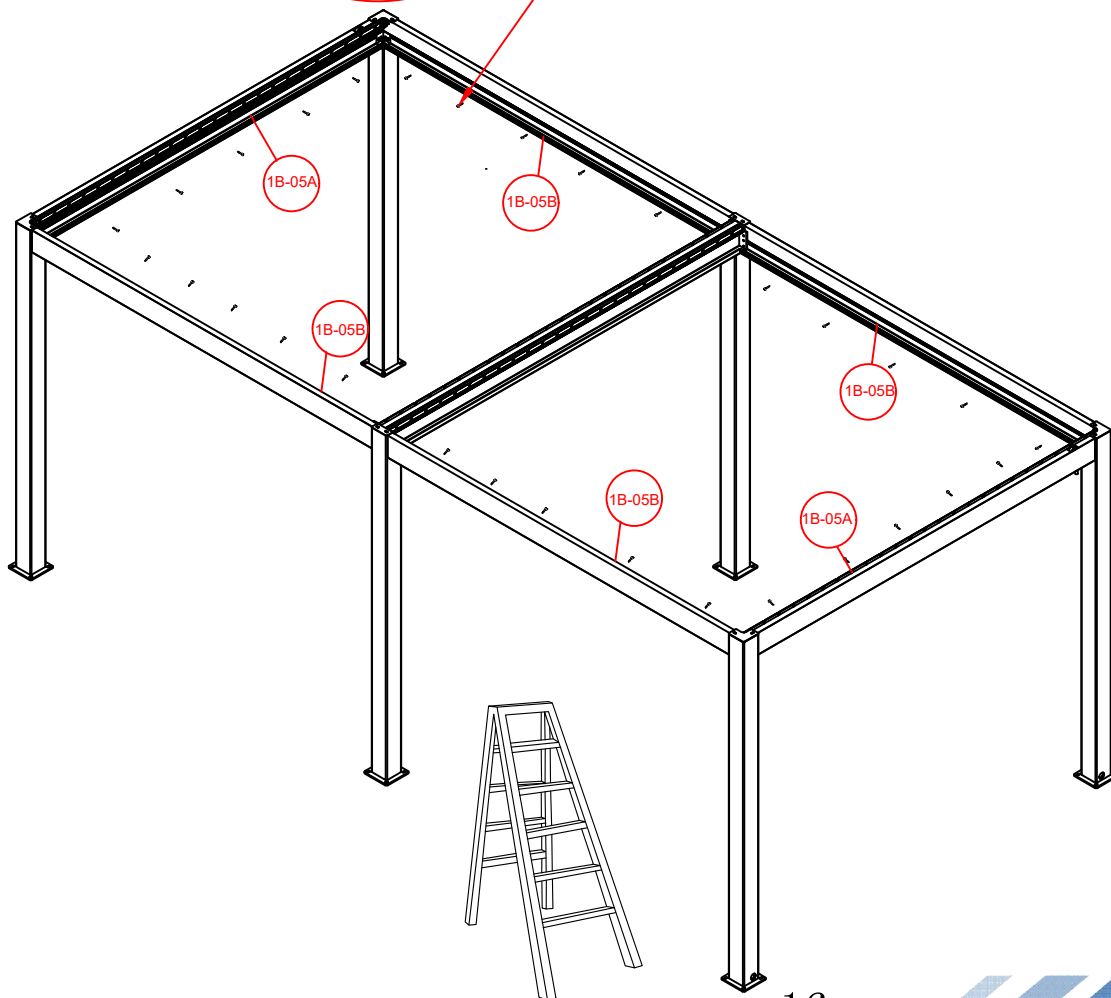



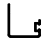



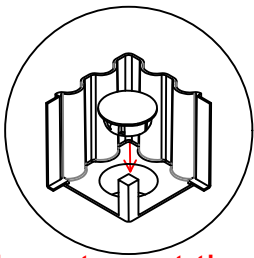
**Warning:**  
Before installation, tear off the protective film of the tape on the back side of Gutter.



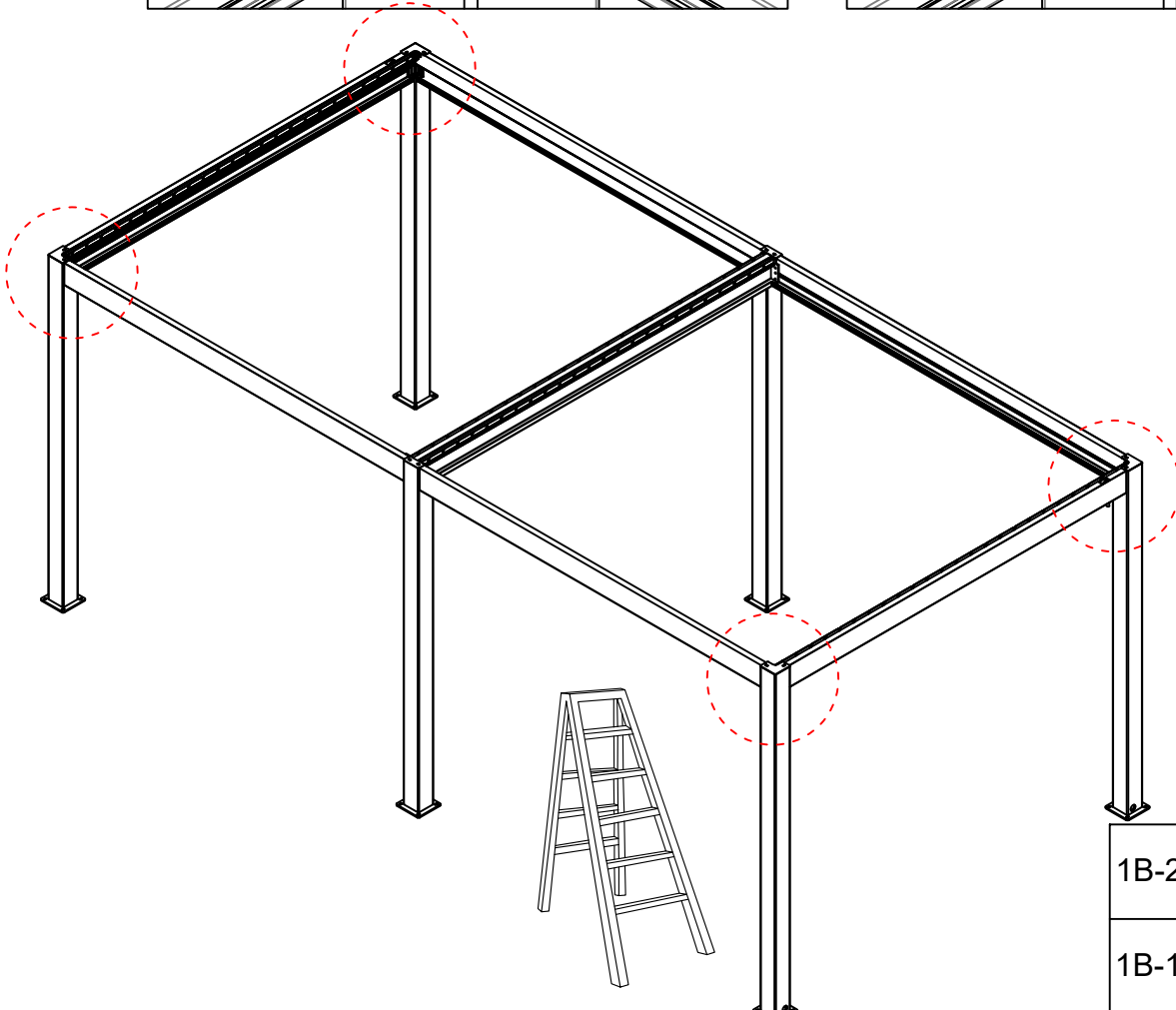
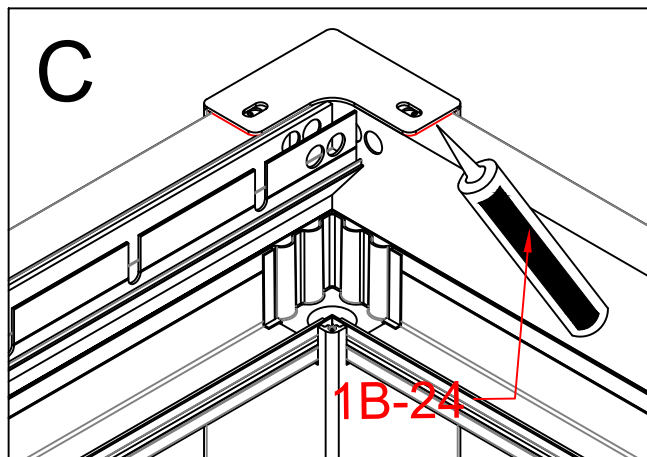
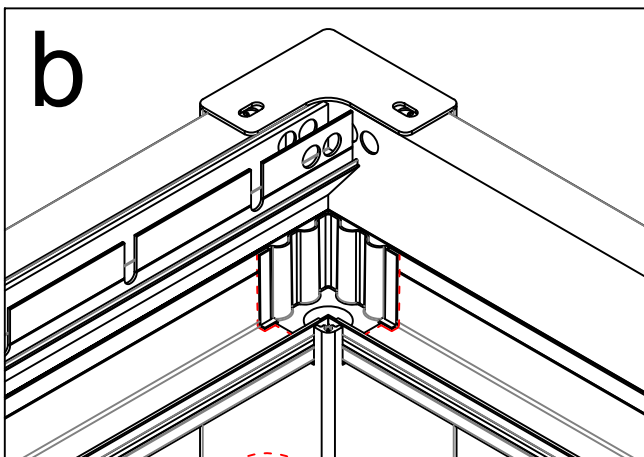
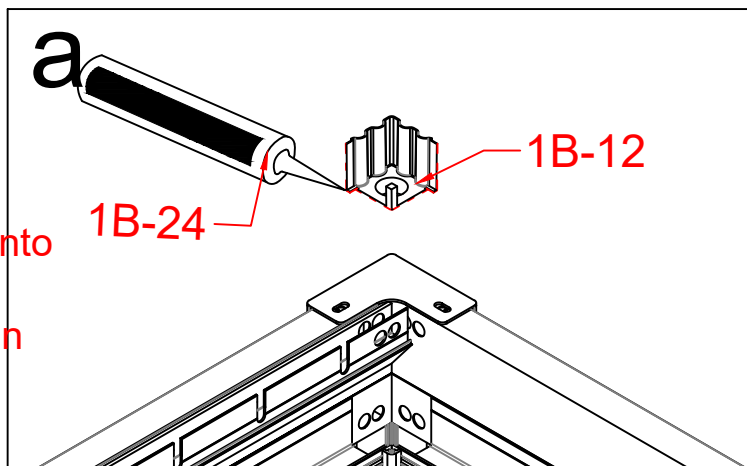
1B-11





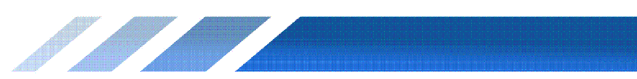
1B-05			6
1B-23			30



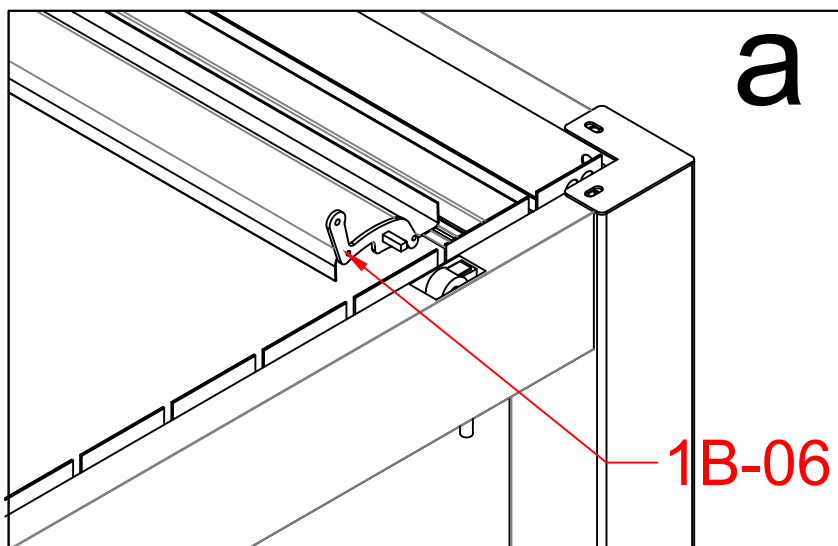
If you do not want the water flow into this post, just cover the drainage hole by plastic cap. At least remain one drainage hole open please.



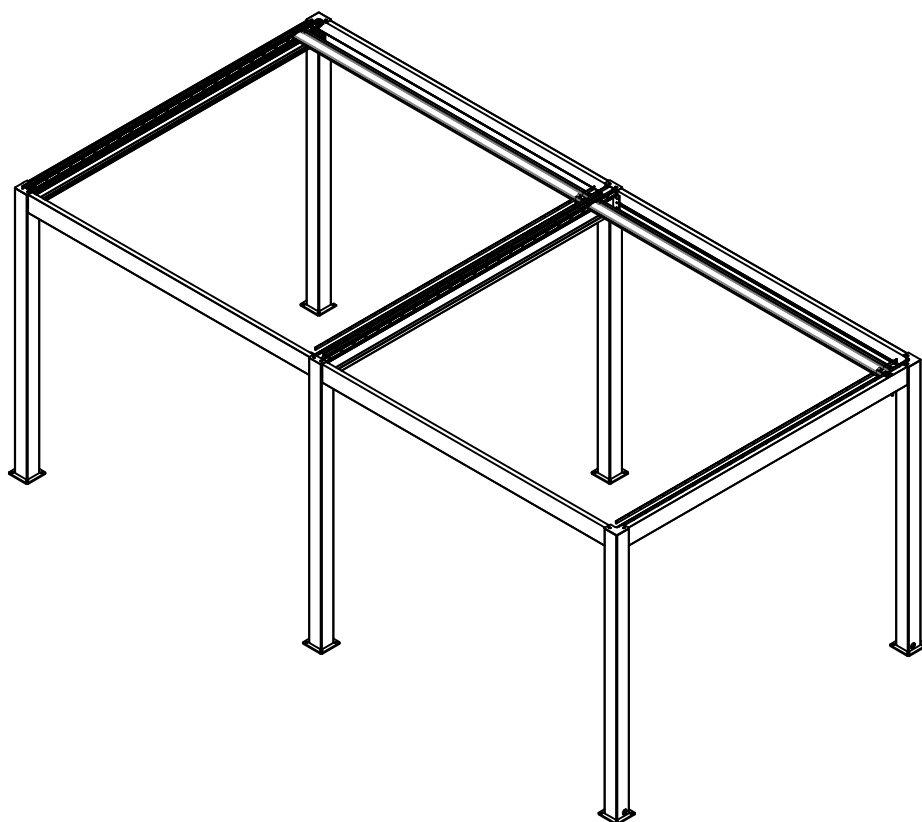
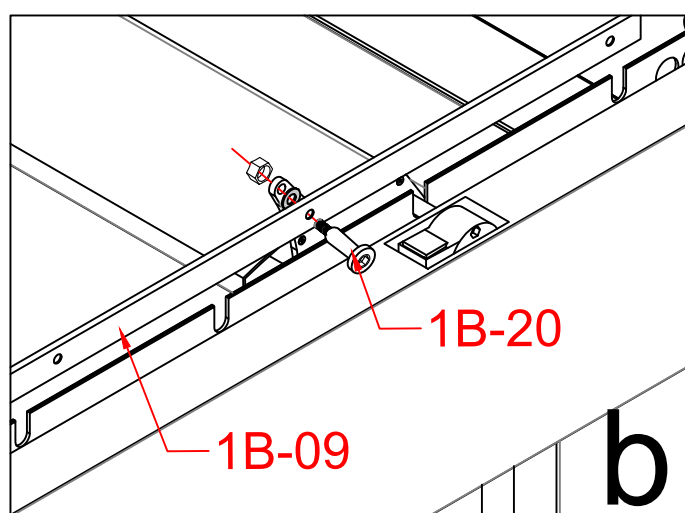
1B-24		1
1B-12		4



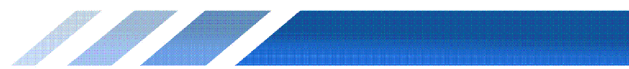


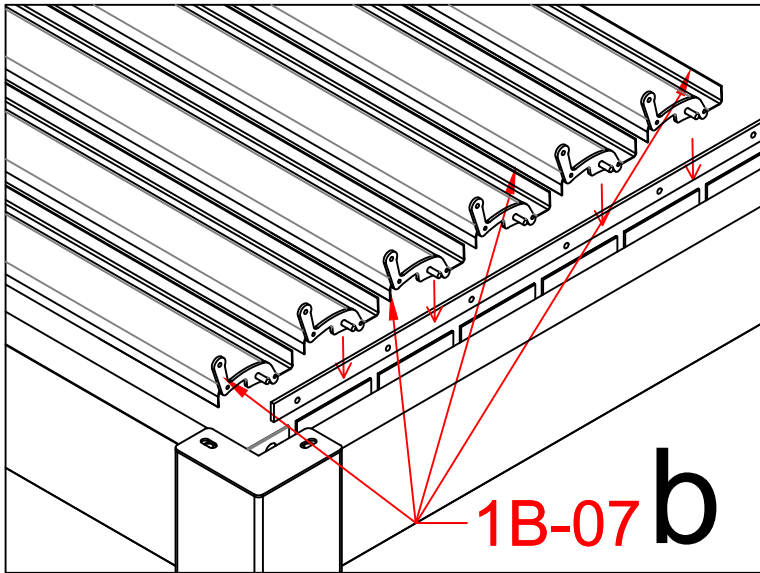


Warning:  
 Simultaneous installation  
 of driving louvres on both  
 sides, and bolts must be  
 tightened.

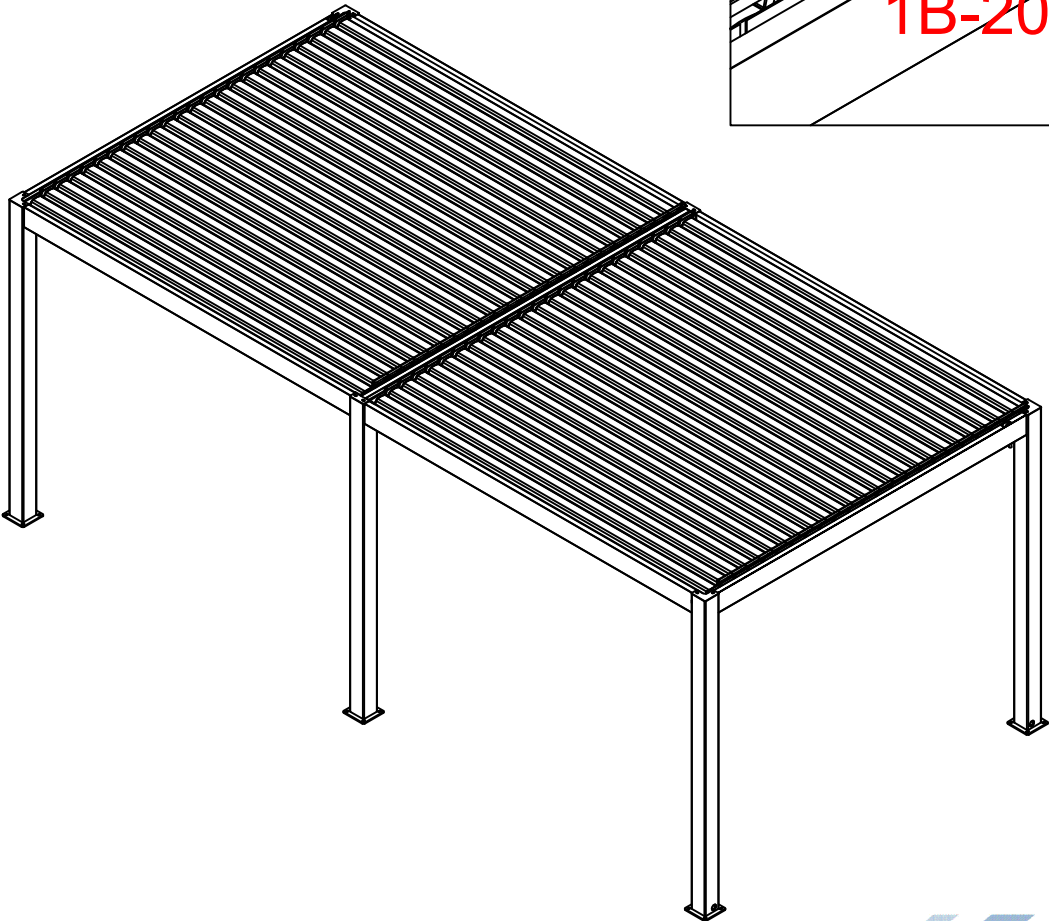
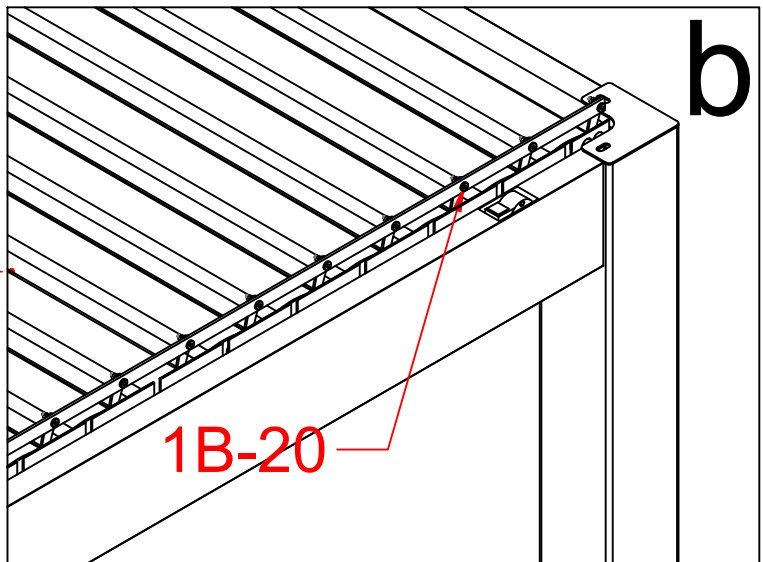


1B-09		4
1B-20		4
1B-06		2

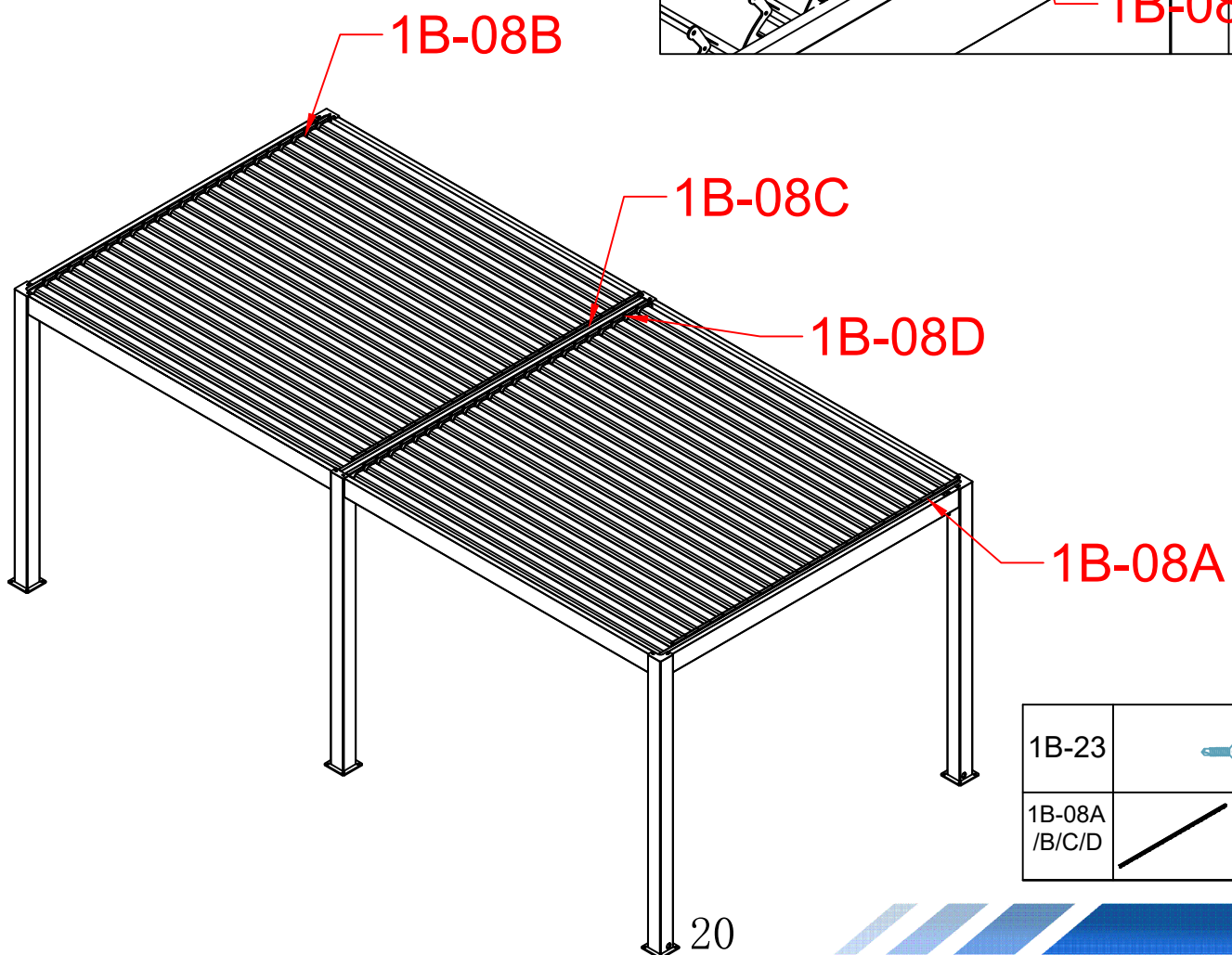
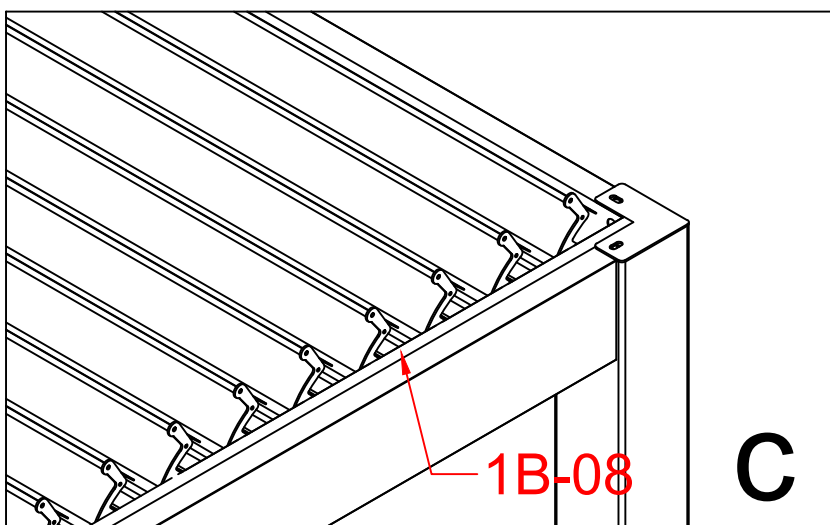
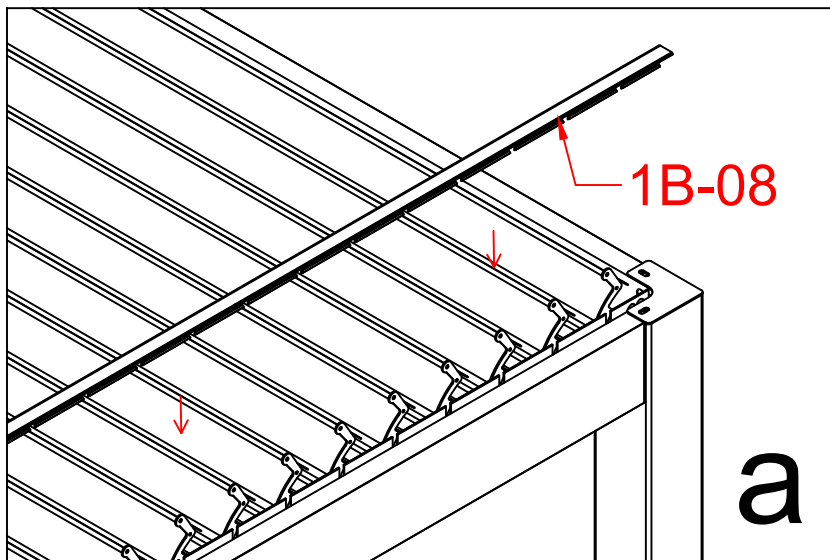
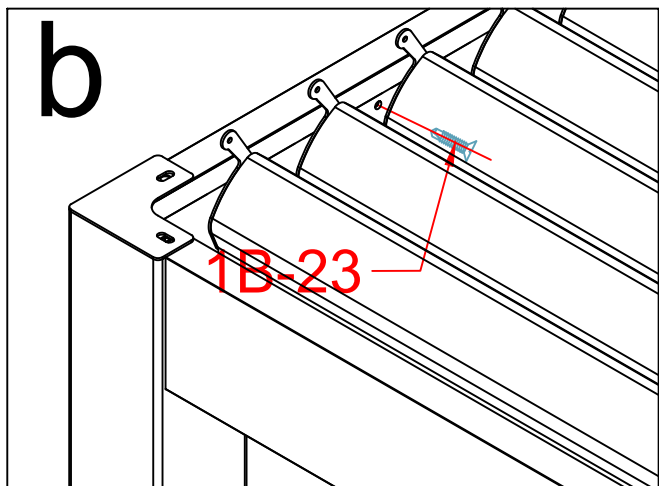






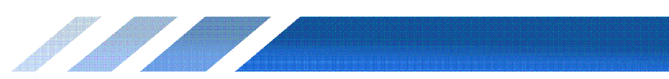
Warning:  
 Simultaneous installation  
 of louvres on both sides,  
 and bolts must be tightened.

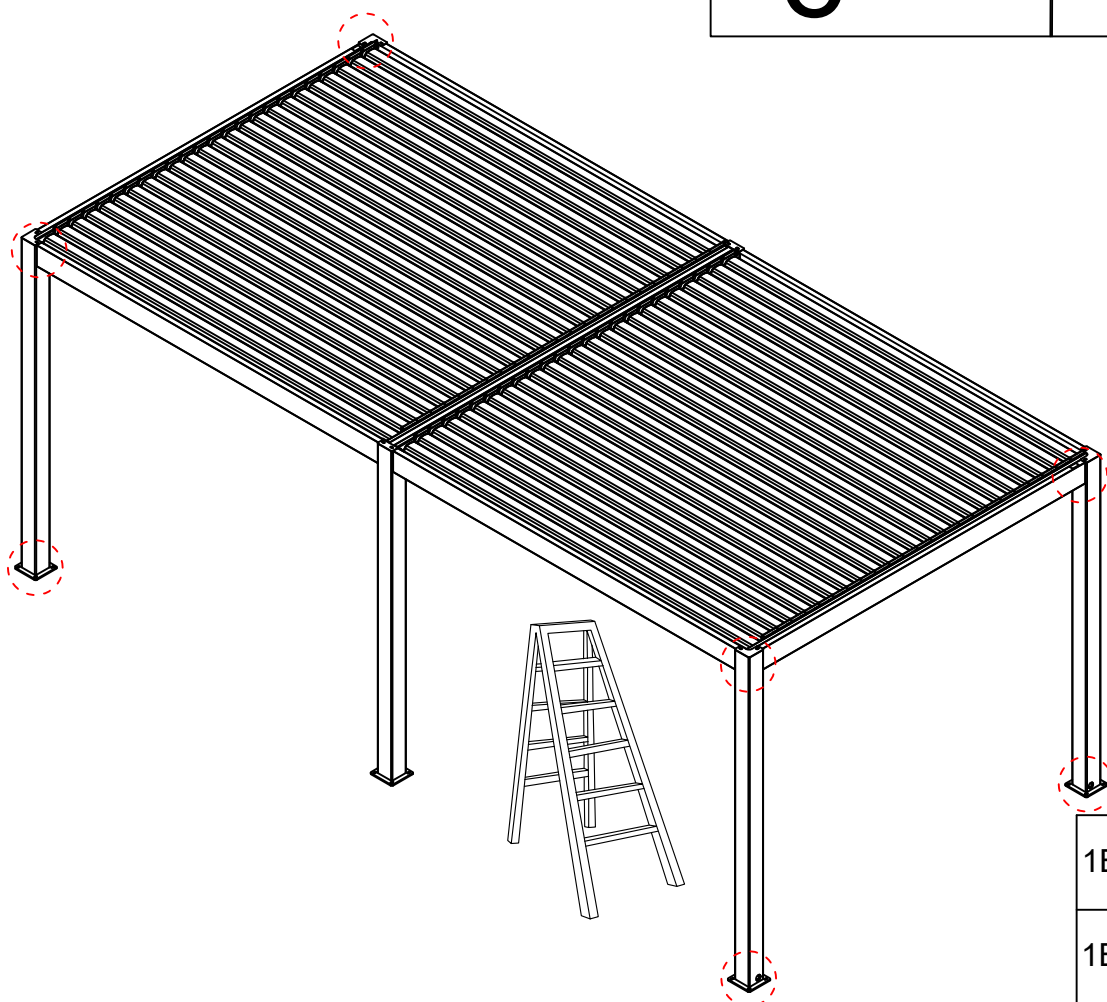
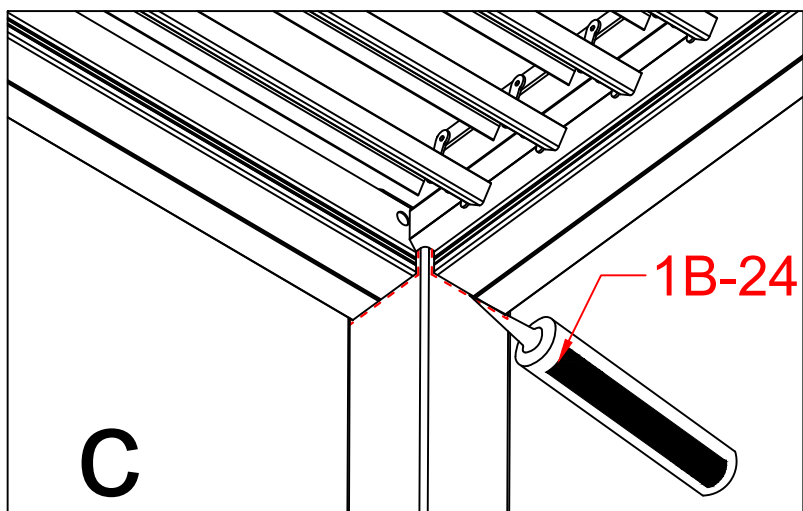
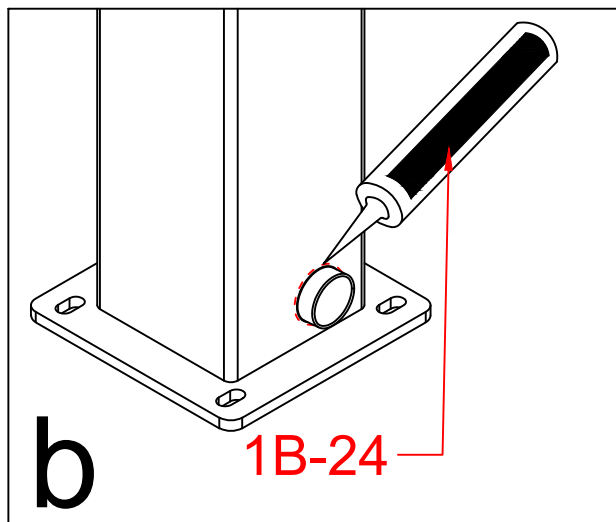
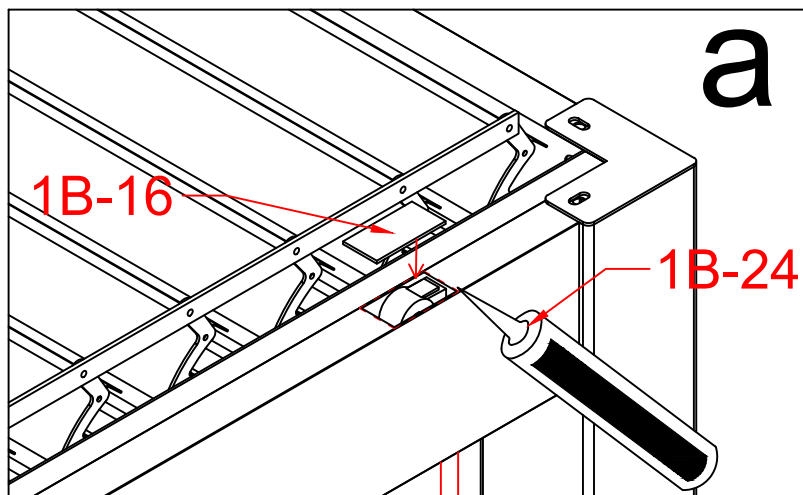


1B-20		128
1B-07		64

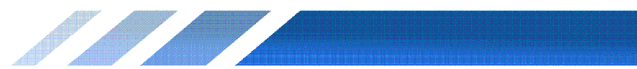


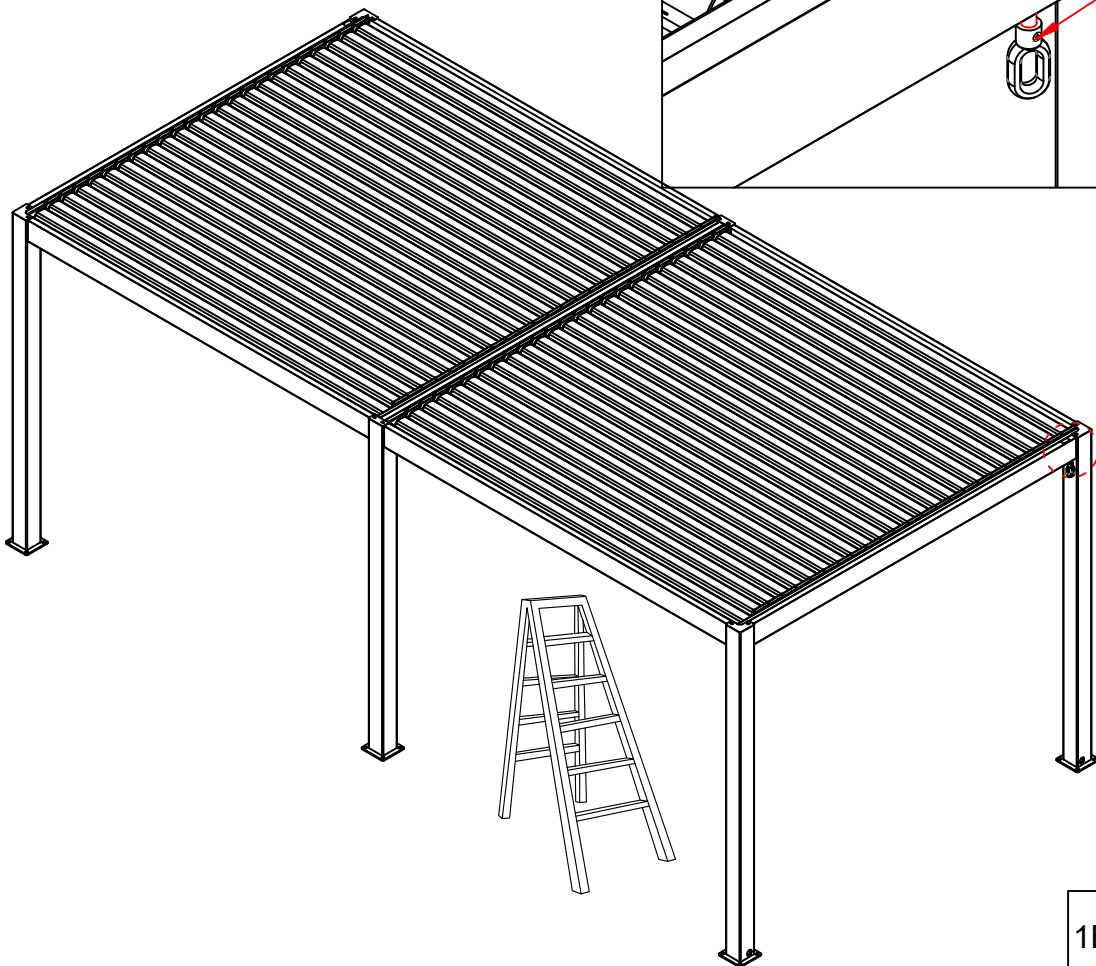
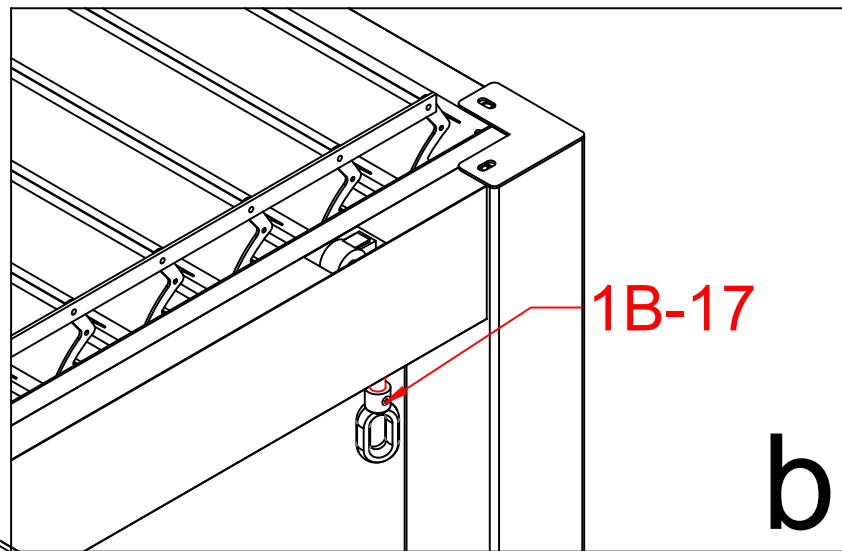
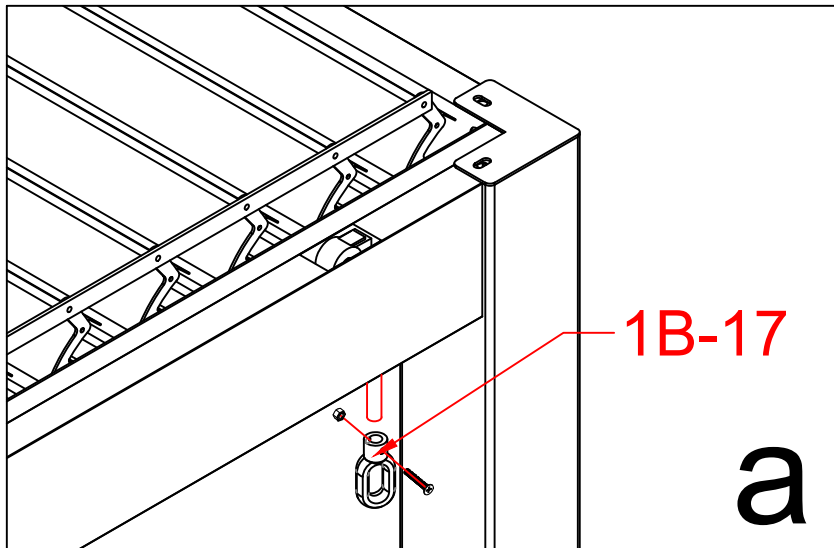
1B-23		20
1B-08A /B/C/D		4






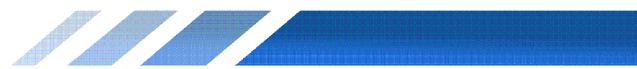


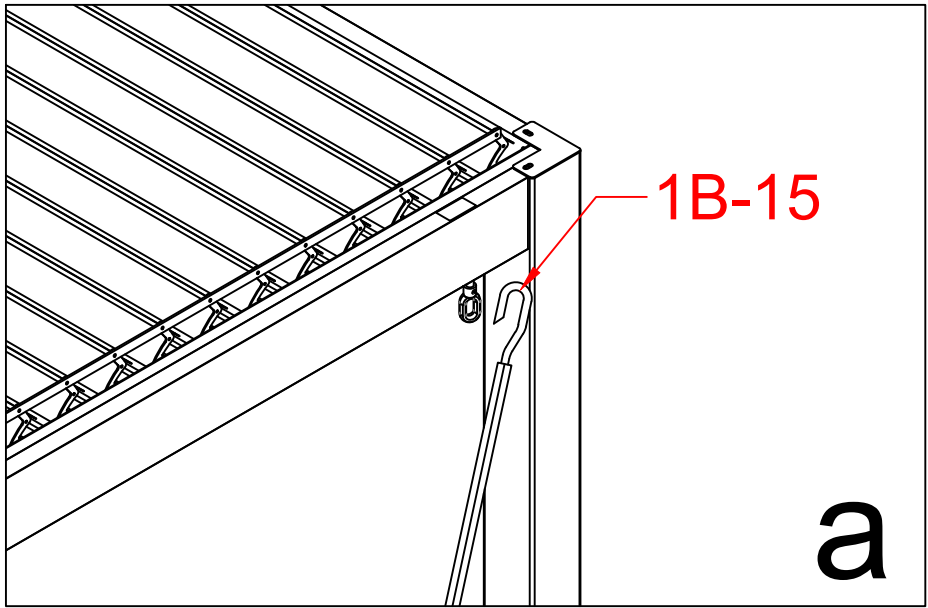
1B-16		2
1B-24		1



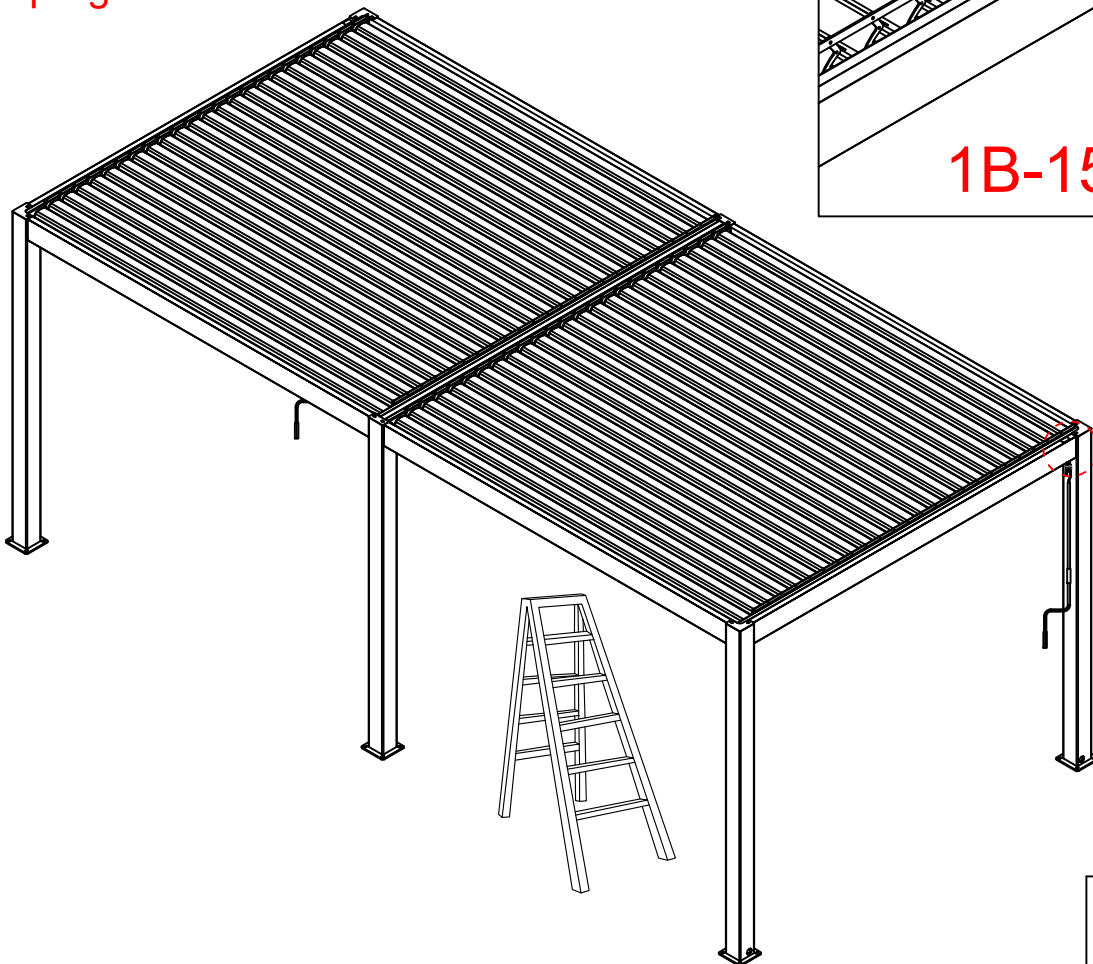
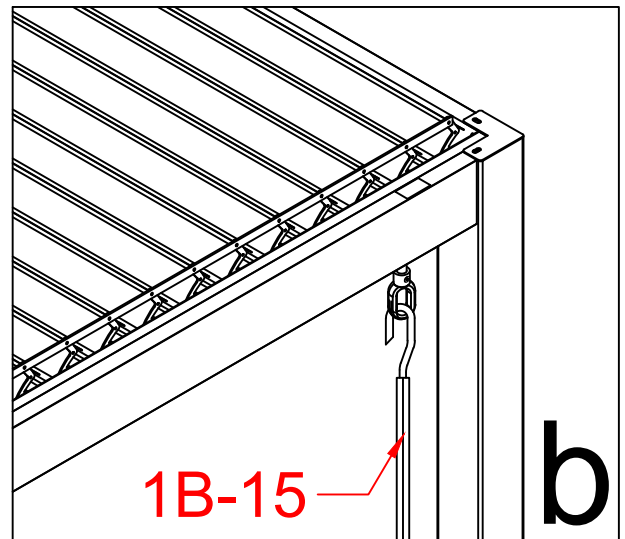


1B-17		+ 		2
-------	---	---	---	---





**Warning**  
In Snow season or in case of snow forecast open up your shutters in vertical position to avoid any damaging on your pergola. .



1B-15		2
-------	--	---

